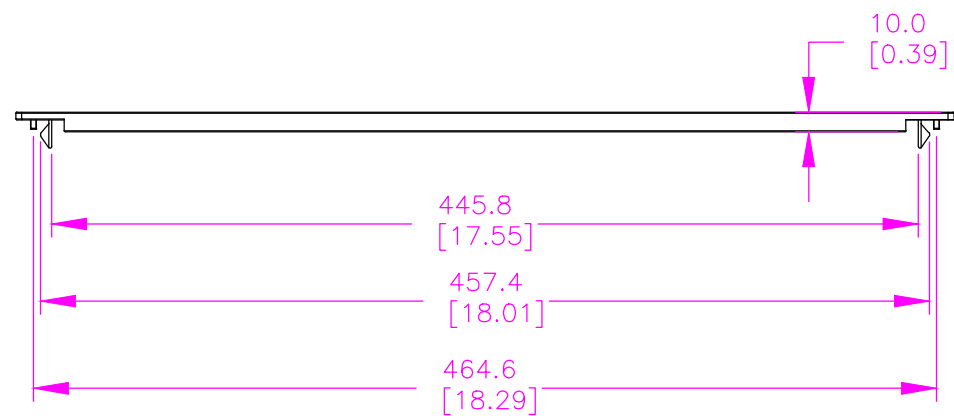


FRONT VIEW

SIDE VIEW

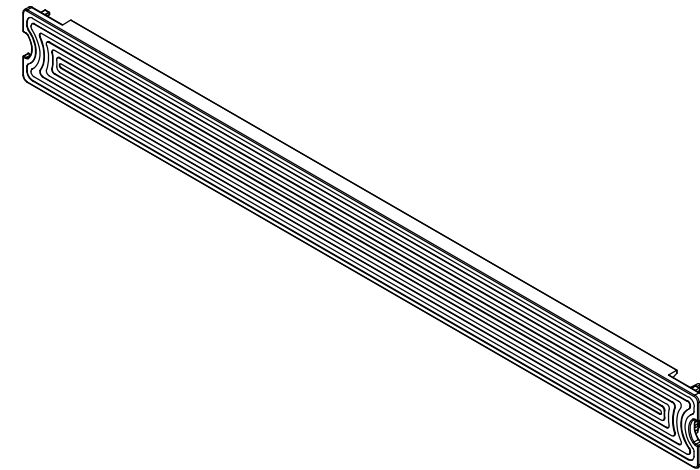


BOTTOM VIEW

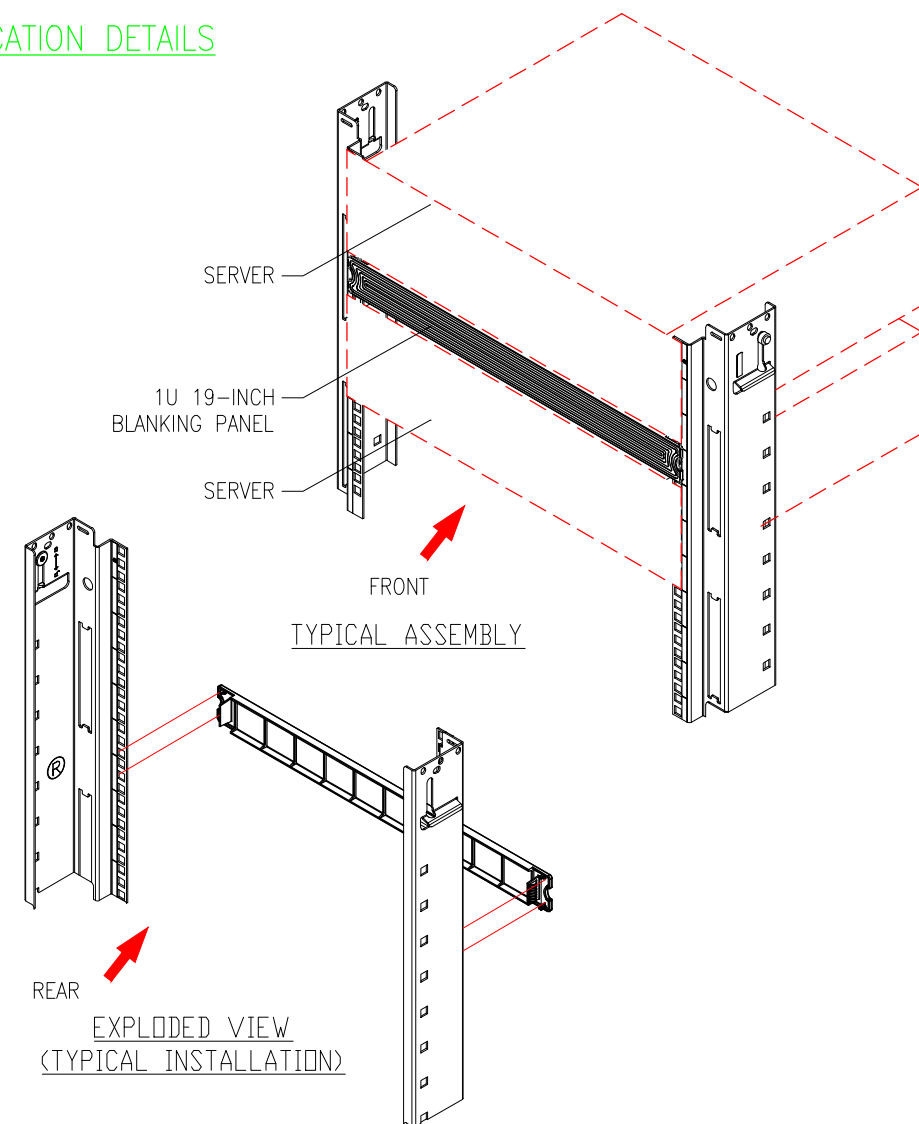
**NOTES:**

1. CAN BE INSTALLED HORIZONTALLY ON THE FRONT AND REAR COLUMNS OF ANY 19 INCH CABINET.
2. MATERIAL QUALITY: ABS
3. UNLESS OTHERWISE SPECIFIED, ALL DIMENSIONS ARE IN MILLIMETERS[INCHES].

ISOMETRIC VIEW



APPLICATION DETAILS



THIS DRAWING AND SPECIFICATIONS HEREIN ARE THE PROPERTY OF Rakworx AND SHALL NOT BE COPIED, REPRODUCED OR USED IN WHOLE OR IN PART, AS THE BASIS FOR THE MANUFACTURE OR SALE OF ITEMS WITHOUT WRITTEN PERMISSION FROM Rakworx. THIS DRAWING IS BASED UPON LATEST AVAILABLE INFORMATION AND IS SUBJECT TO CHANGE WITHOUT NOTICE.

Name	Date	Description	Drawing No.
Drawn by		MAIN MECHANICAL	RM89010-1
Approved by			
		Scale: 1:1	Third angle projection
			Unit: mm Sheet: 10F1