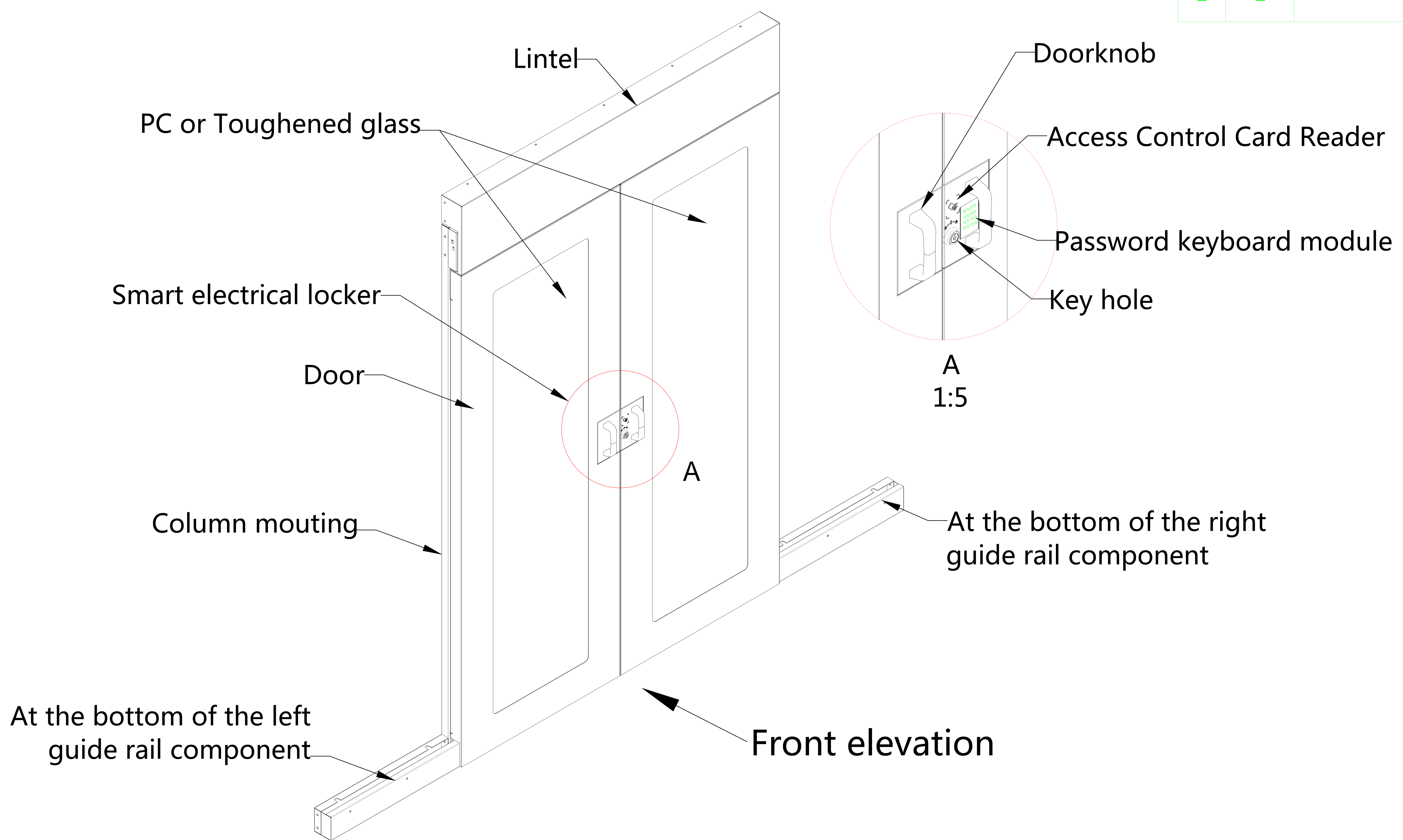


ECN/ECO			
REV.	DATE	Disp.	Sign
-	-	-	-
-	-	-	-



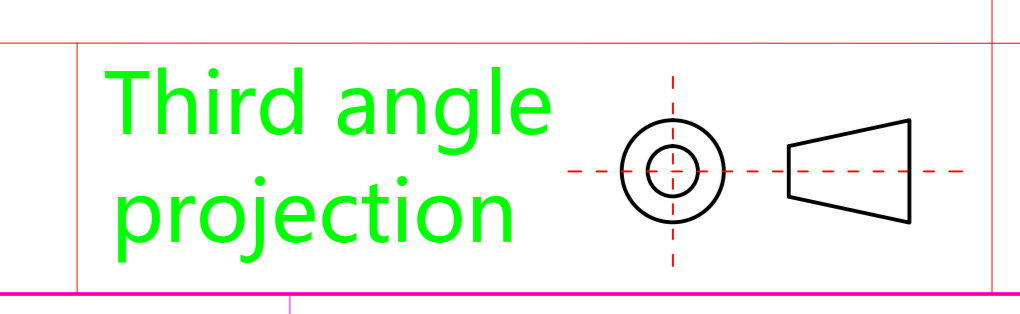
Tolerances/Tolerance ISO 2768-M	>0.5=3	±0.1
	>3=6	±0.1
	>6=30	±0.2
	>30=120	±0.3
	>120=400	±0.5
>400=1000	±0.8	

Remarks section:

- 1.This product is double open sliding doors with automatic door closing device Rebound ;
- 2.Door lock is equipped with three kinds of way to open the door: keys, passwords, credit card ;
- 3.Windows and doors use 4 mm PC board or 5 mm toughened glass.

THIS DRAWING AND SPECIFICATIONS HEREIN ARE THE PROPERTY OF Rakworx AND SHALL NOT BE COPIED, REPRODUCED OR USED IN WHOLE OR IN PART, AS THE BASIS FOR THE MANUFACTURE OR SALE OF ITEMS WITHOUT WRITTEN PERMISSION FROM Rakworx. THIS DRAWING IS BASED UPON LATEST AVAILABLE INFORMATION AND IS SUBJECT TO CHANGE WITHOUT NOTICE.

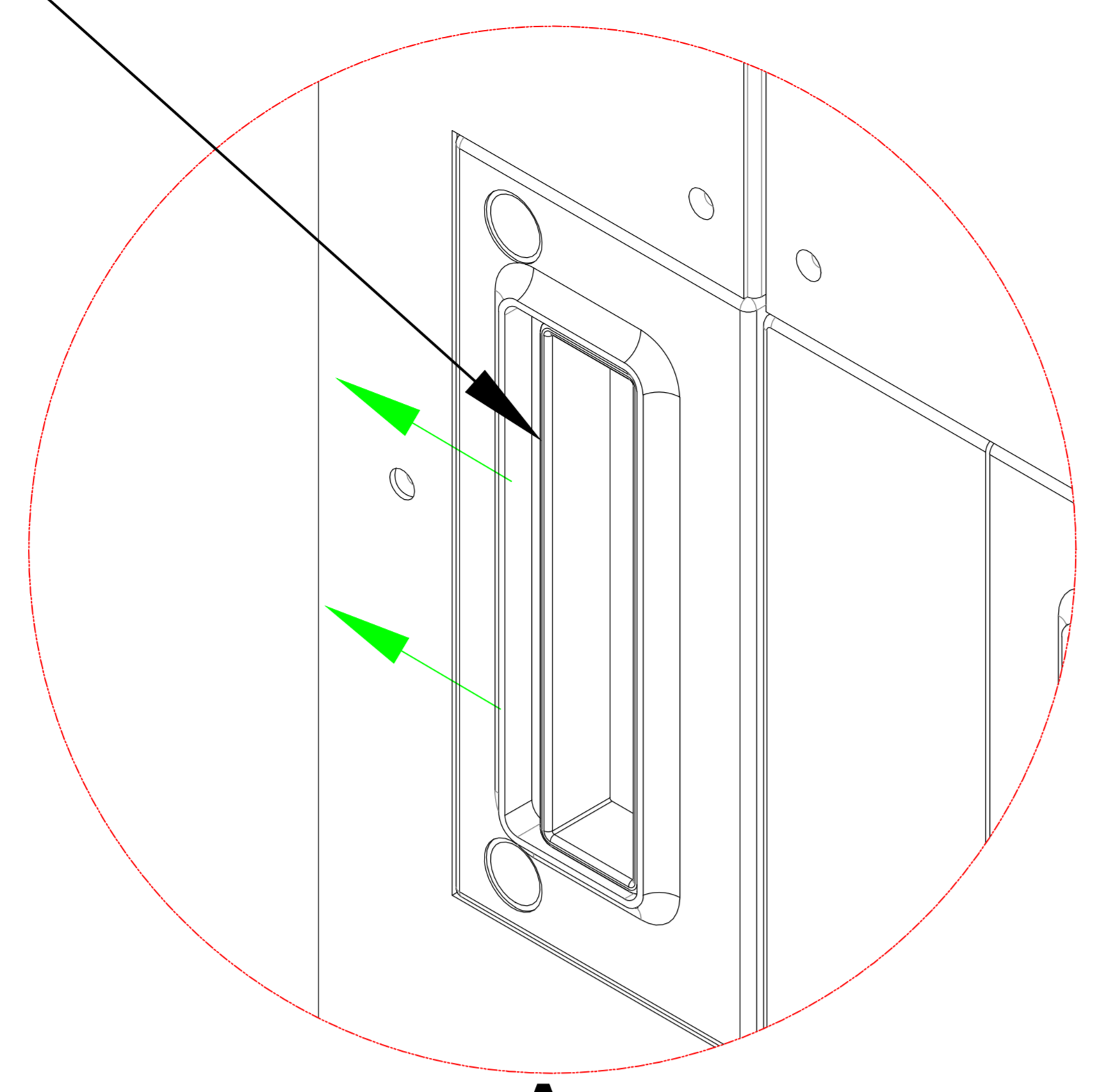
Name	Date	Description	Drawing No.
Drawn by Owen.Wu	20 Jan , 2016	Sliding door	ACD1200
Approved by Zunzheng.Gu	22 Jan , 2016		Unit :mm
		Scale : 1:1	Sheet: 1 OF 6



Tolerances/Tolerance ISO 2768-M	>0.5=3	±0.1
	>3=6	±0.1
	>6=30	±0.2
	>30=120	±0.3
	>120=400	±0.5
>400=1000	±0.8	

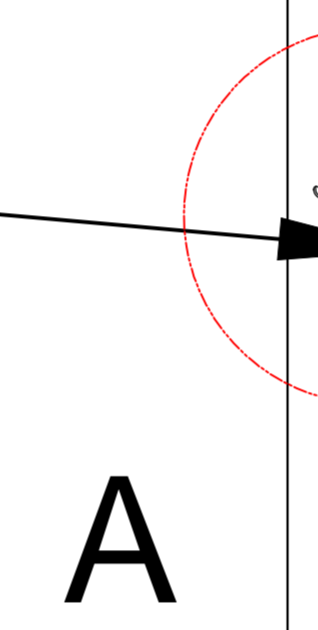
ECN/ECO			
REV.	DATE	Desp.	Sign
-	-	-	-
-	-	-	-

Locks the inside of the emergency door clasp hands

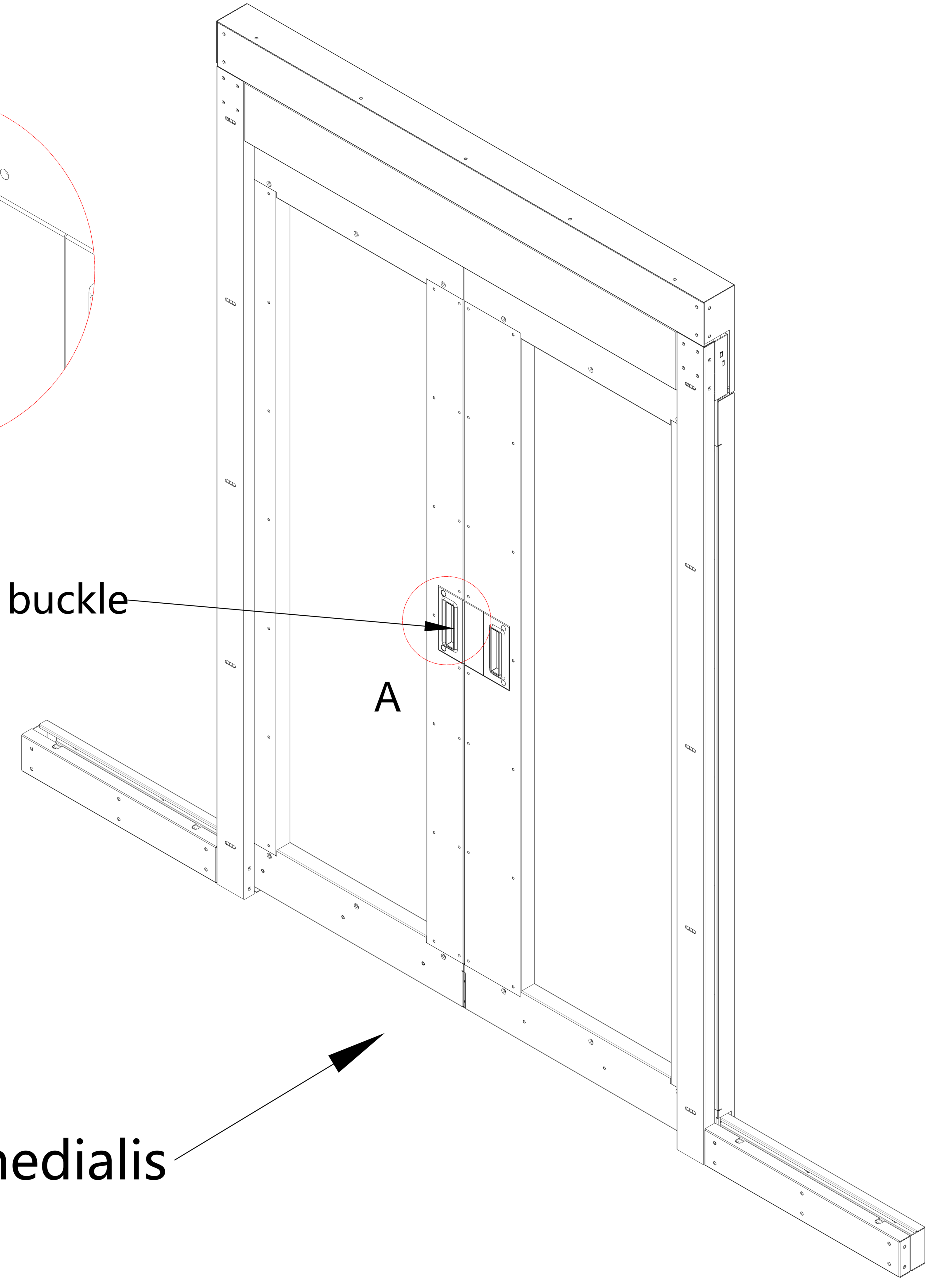


A
1:5

Door buckle



Facies medialis

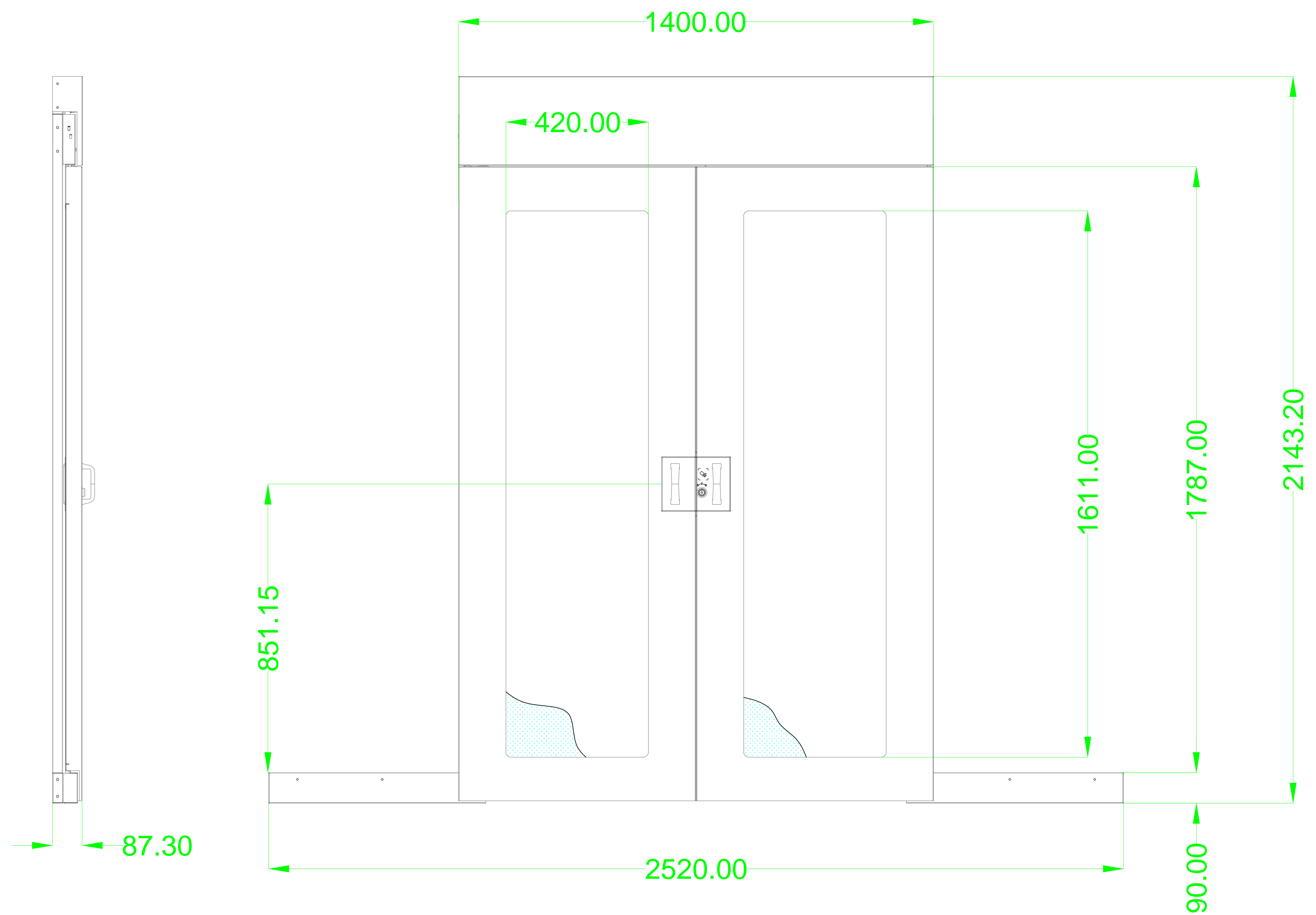


THIS DRAWING AND SPECIFICATIONS HEREIN ARE THE PROPERTY OF Rakworx AND SHALL NOT BE COPIED, REPRODUCED OR USED IN WHOLE OR IN PART, AS THE BASIS FOR THE MANUFACTURE OR SALE OF ITEMS WITHOUT WRITTEN PERMISSION FROM Rakworx. THIS DRAWING IS BASED UPON LATEST AVAILABLE INFORMATION AND IS SUBJECT TO CHANGE WITHOUT NOTICE.

Name	Date	Description	Drawing No.
Drawn by Owen.Wu	20 Jan , 2016	Sliding door	ACD1200
Approved by Zunzheng.Gu	22 Jan , 2016		Unit :mm
		Scale : 1:1	Sheet: 2 OF 6
		Third angle projection	

Tolerances/Tolerance ISO 2768-M	>0.5=3	±0.1
	>3=6	±0.1
	>6=30	±0.2
	>30=120	±0.3
	>120=400	±0.5
>400=1000	±0.8	

ECN/ECO			
REV.	DATE	Disp.	Sign
-	-	-	-
-	-	-	-



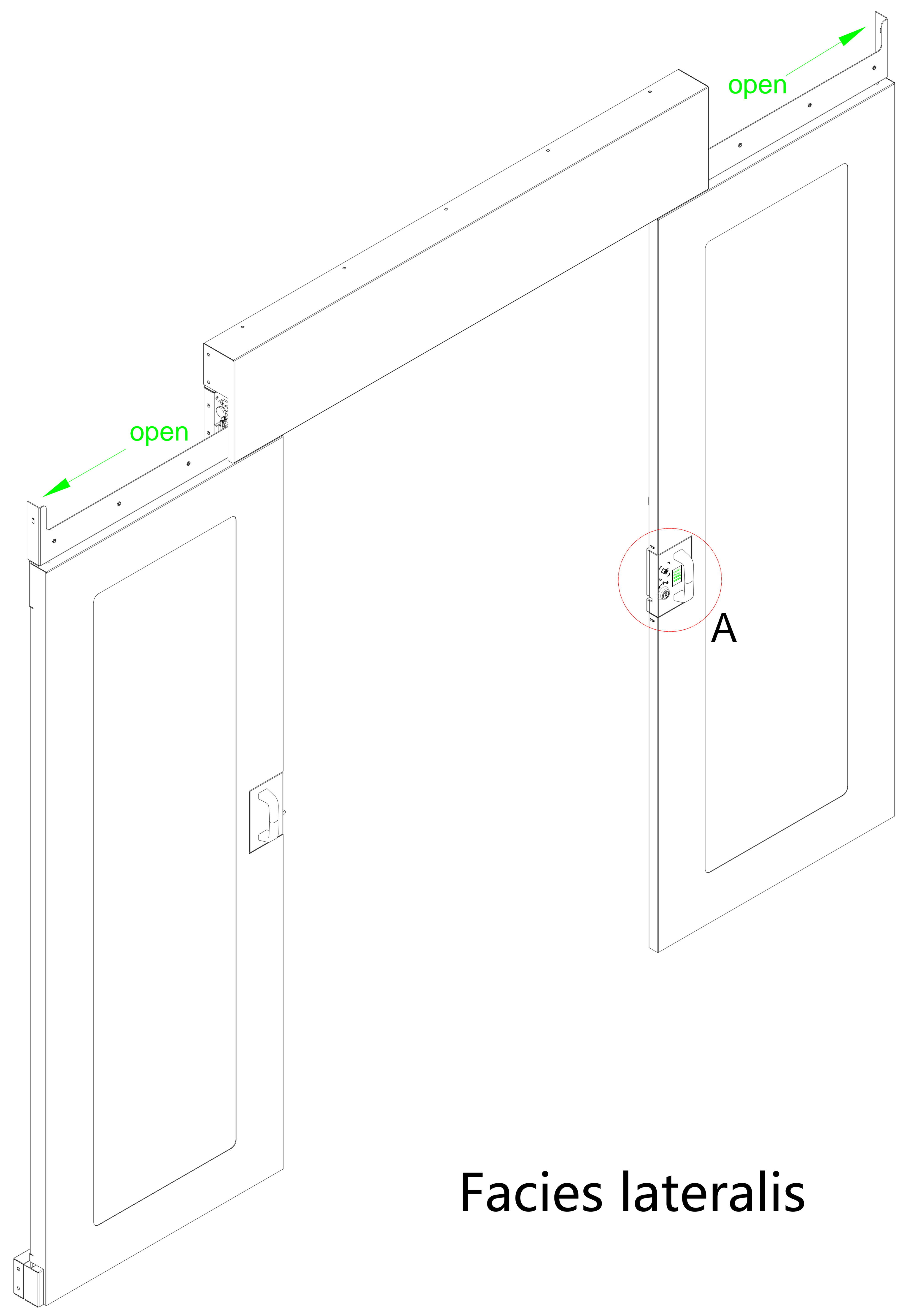
THIS DRAWING AND SPECIFICATIONS HEREIN ARE THE PROPERTY OF Rakworx AND SHALL NOT BE COPIED, REPRODUCED OR USED IN WHOLE OR IN PART, AS THE BASIS FOR THE MANUFACTURE OR SALE OF ITEMS WITHOUT WRITTEN PERMISSION FROM Rakworx. THIS DRAWING IS BASED UPON LATEST AVAILABLE INFORMATION AND IS SUBJECT TO CHANGE WITHOUT NOTICE.

	Name	Date	Description	Drawing No.
Drawn by	Owen.Wu	20 Jan , 2016	Sliding door	ACD1200
Approved by	Zunzheng.Gu	22 Jan , 2016		Unit :mm
			Scale : 1:1	Sheet: 3 OF 6
			Third angle projection	

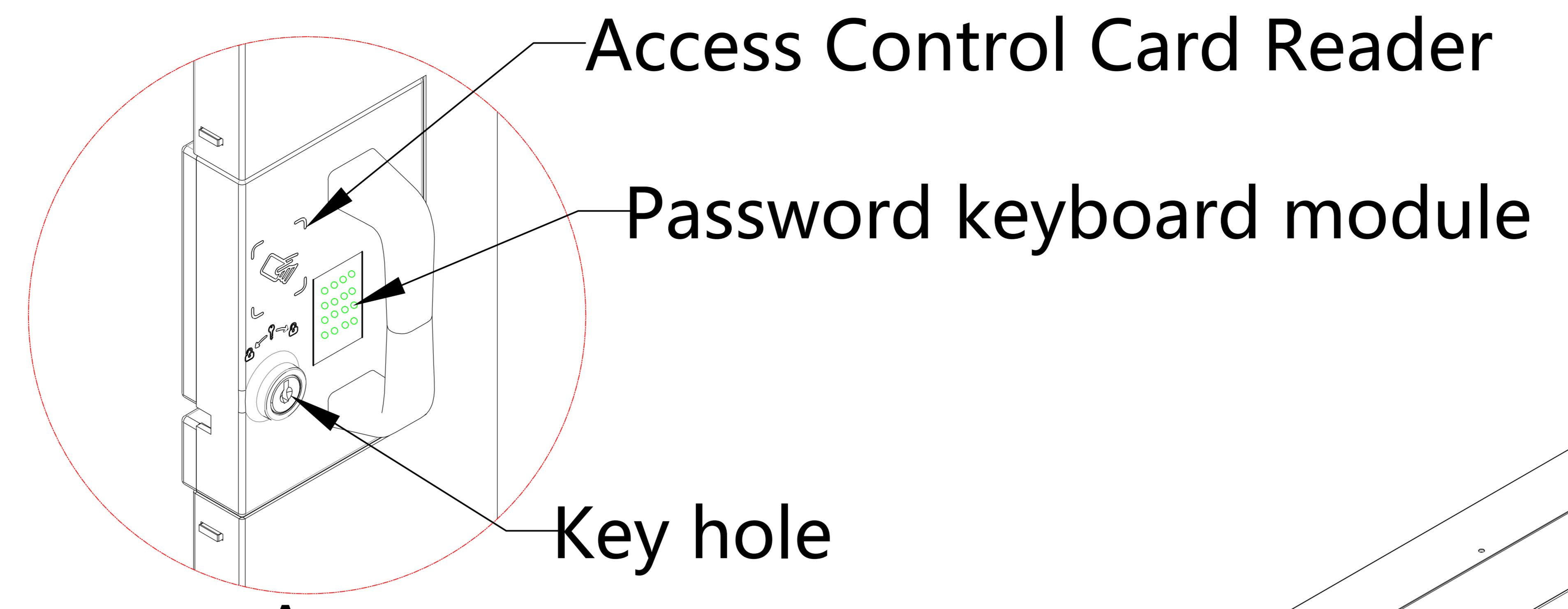
>0.5=3	>3=6	>6=30	>30=120	>120=400	>400=1000
±0.1	±0.1	±0.2	±0.3	±0.5	±0.8

Tolerances/Tolerance
ISO 2768-M

ECN/ECO			
REV.	DATE	Disp.	Sign
-	-	-	-
-	-	-	-

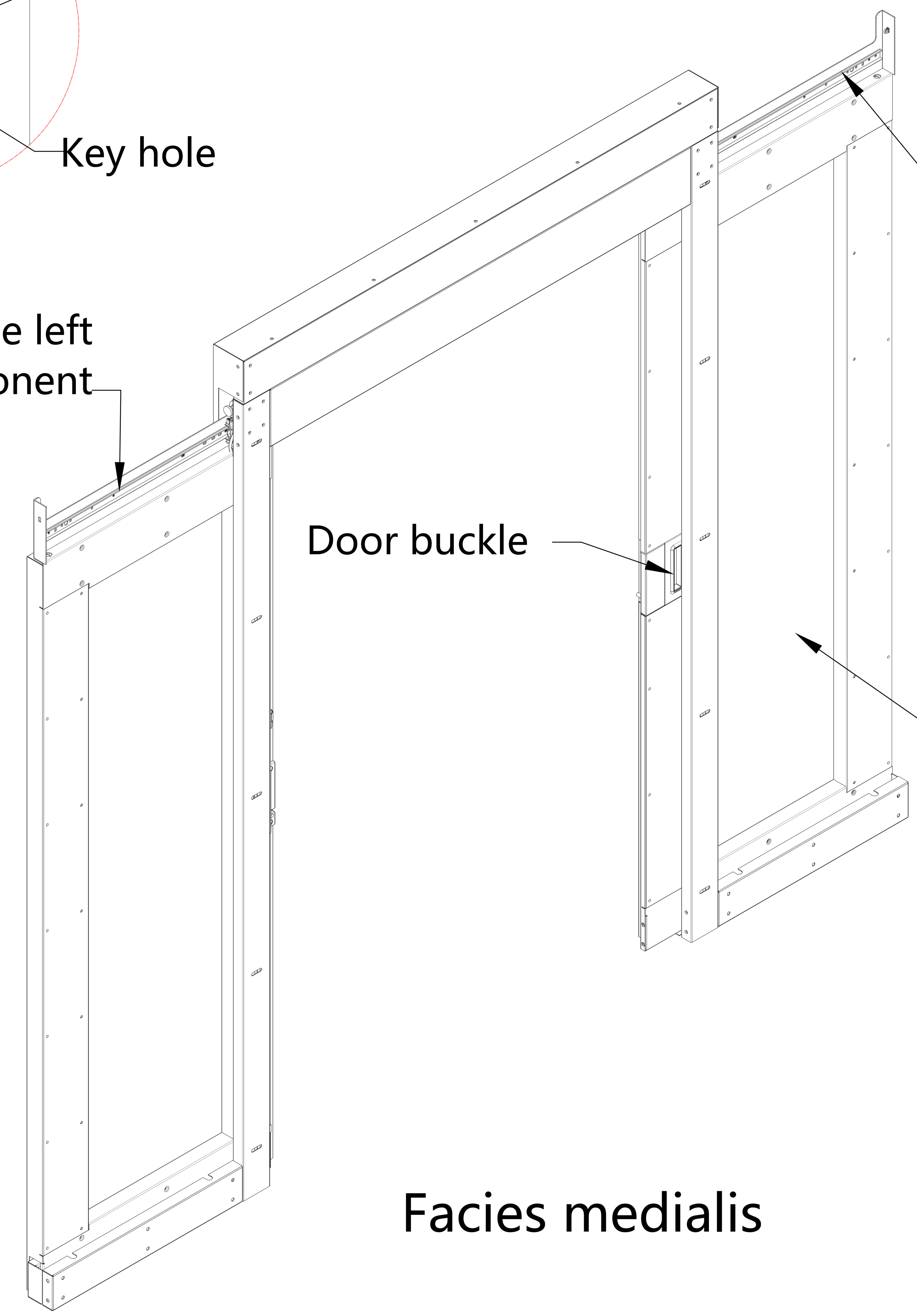


Facies lateralis



A
1:5

At the top of the left
guide rail component



Facies medialis

At the top of the right
guide rail component

PC or Toughened glass

Door buckle

THIS DRAWING AND SPECIFICATIONS HEREIN ARE THE PROPERTY OF Rakworx AND SHALL NOT BE COPIED, REPRODUCED OR USED IN WHOLE OR IN PART, AS THE BASIS FOR THE MANUFACTURE OR SALE OF ITEMS WITHOUT WRITTEN PERMISSION FROM Rakworx. THIS DRAWING IS BASED UPON LATEST AVAILABLE INFORMATION AND IS SUBJECT TO CHANGE WITHOUT NOTICE.

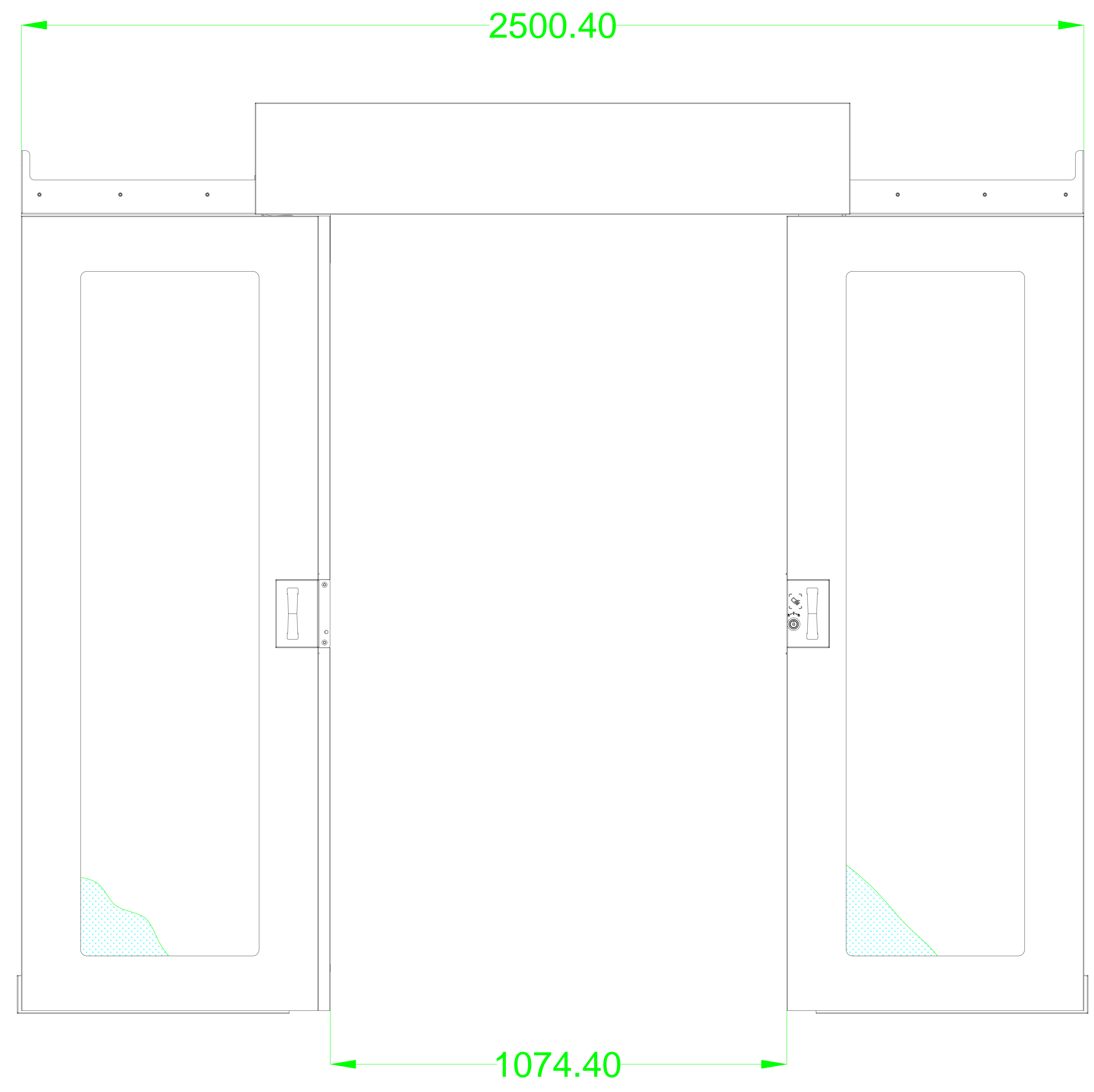
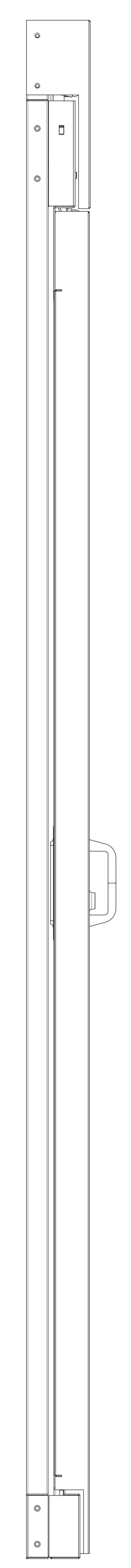
	Name	Date
Drawn by	Owen.Wu	20 Jan , 2016
Approved by	Zunzheng.Gu	22 Jan , 2016



Description	Drawing No.
Sliding door	ACD1200
Scale : 1:1	Unit :mm
Third angle projection	Sheet: 4 OF 6

Tolerances/Tolerance ISO 2768-M	>0.5=3	±0.1
	>3=6	±0.1
	>6=30	±0.2
	>30=120	±0.3
	>120=400	±0.5
	>400=1000	±0.8

ECN/ECO			
REV.	DATE	Desp.	Sign
-	-	-	-
-	-	-	-



To open the door

THIS DRAWING AND SPECIFICATIONS HEREIN ARE THE PROPERTY OF Rakworx AND SHALL NOT BE COPIED, REPRODUCED OR USED IN WHOLE OR IN PART, AS THE BASIS FOR THE MANUFACTURE OR SALE OF ITEMS WITHOUT WRITTEN PERMISSION FROM Rakworx. THIS DRAWING IS BASED UPON LATEST AVAILABLE INFORMATION AND IS SUBJECT TO CHANGE WITHOUT NOTICE.

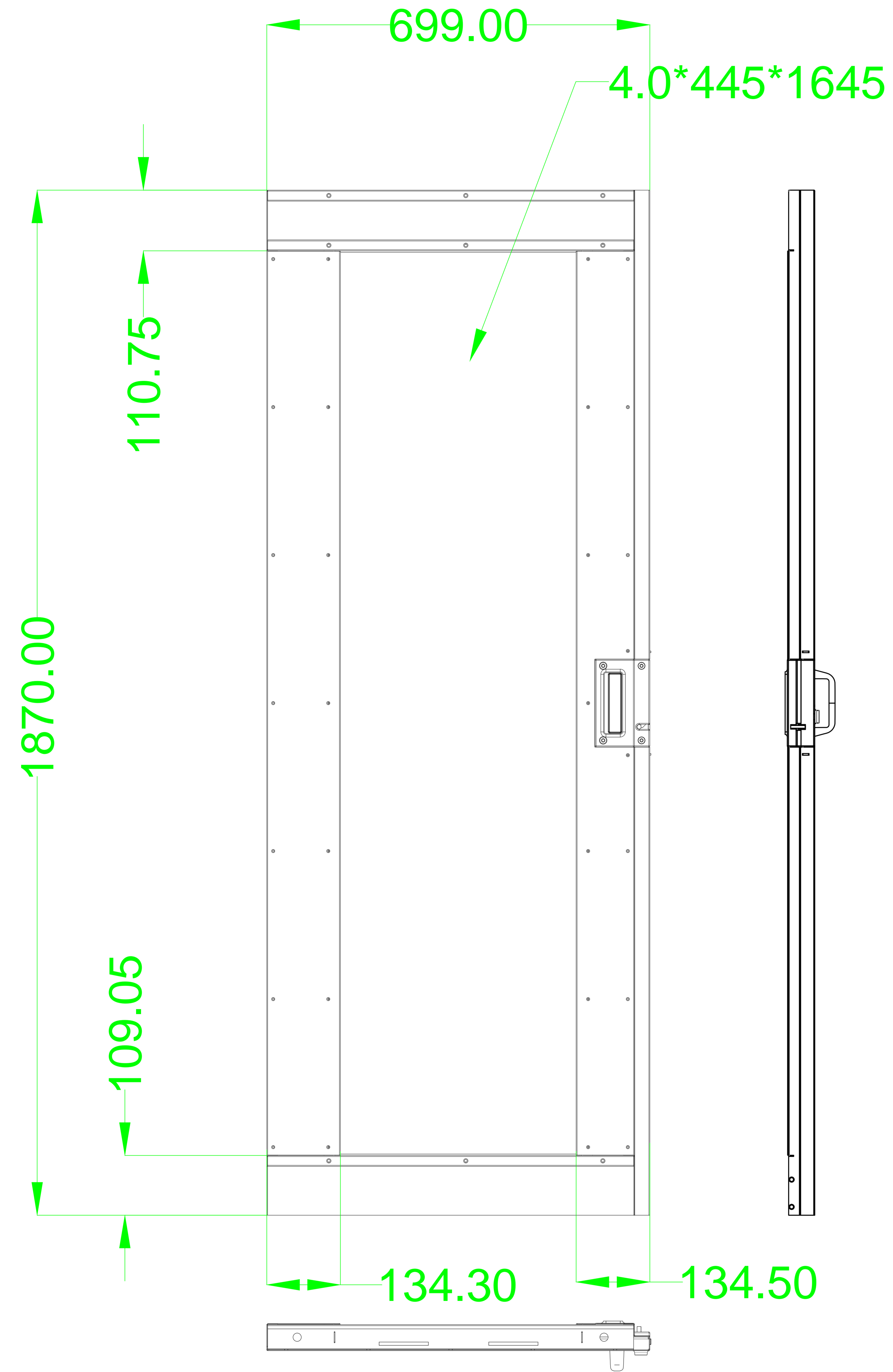
	Name	Date
Drawn by	Owen.Wu	20 Jan , 2016
Approved by	Zunzheng.Gu	22 Jan , 2016



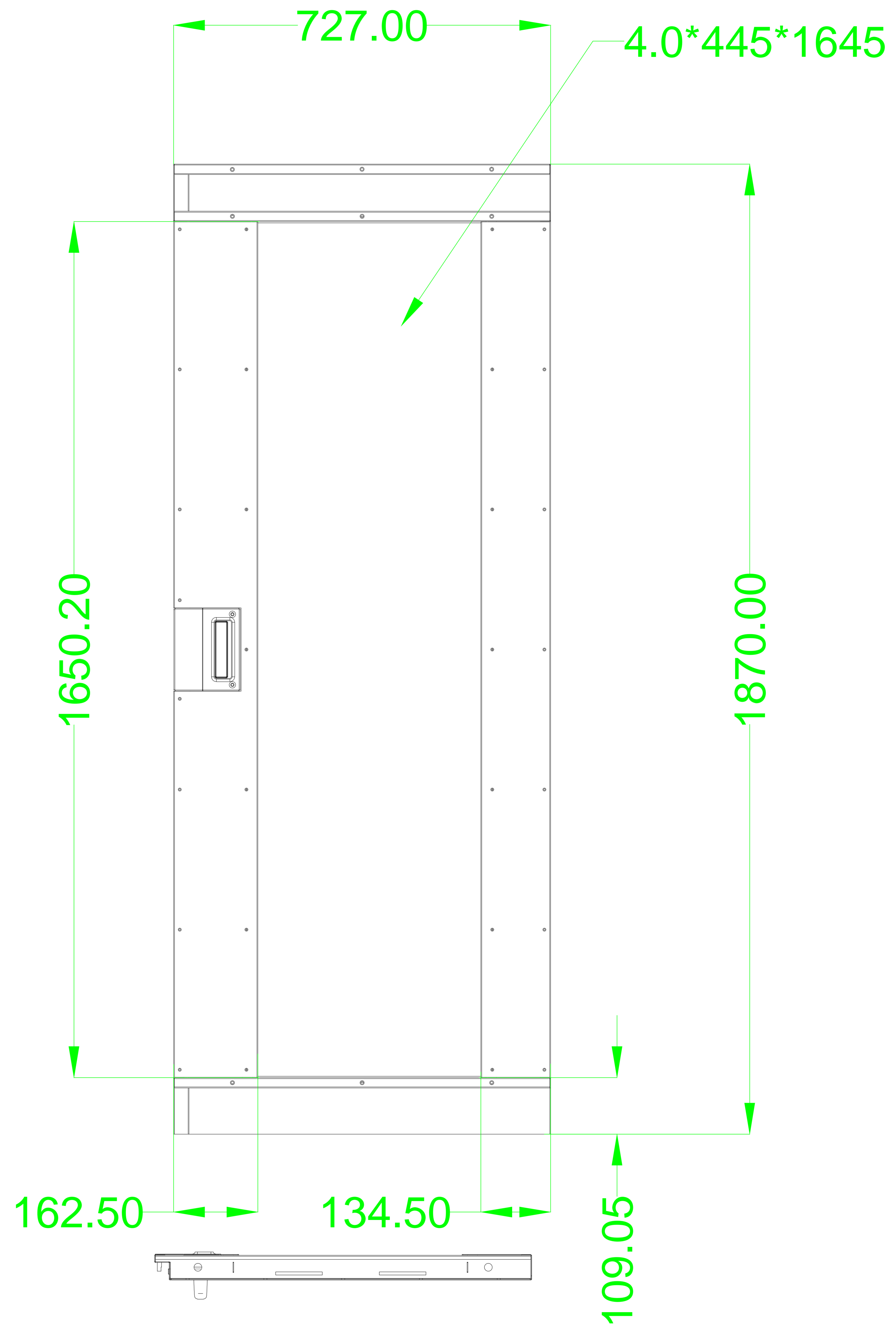
Description	Drawing No.
Sliding door	ACD1200
Scale : 1:1	Unit :mm
Third angle projection	Sheet: 5 OF 6

Tolerances/Tolerance ISO 2768-M	>0.5=3	±0.1
	>3=6	±0.1
	>6=30	±0.2
	>30=120	±0.3
>120=400	±0.5	
>400=1000	±0.8	

Right door

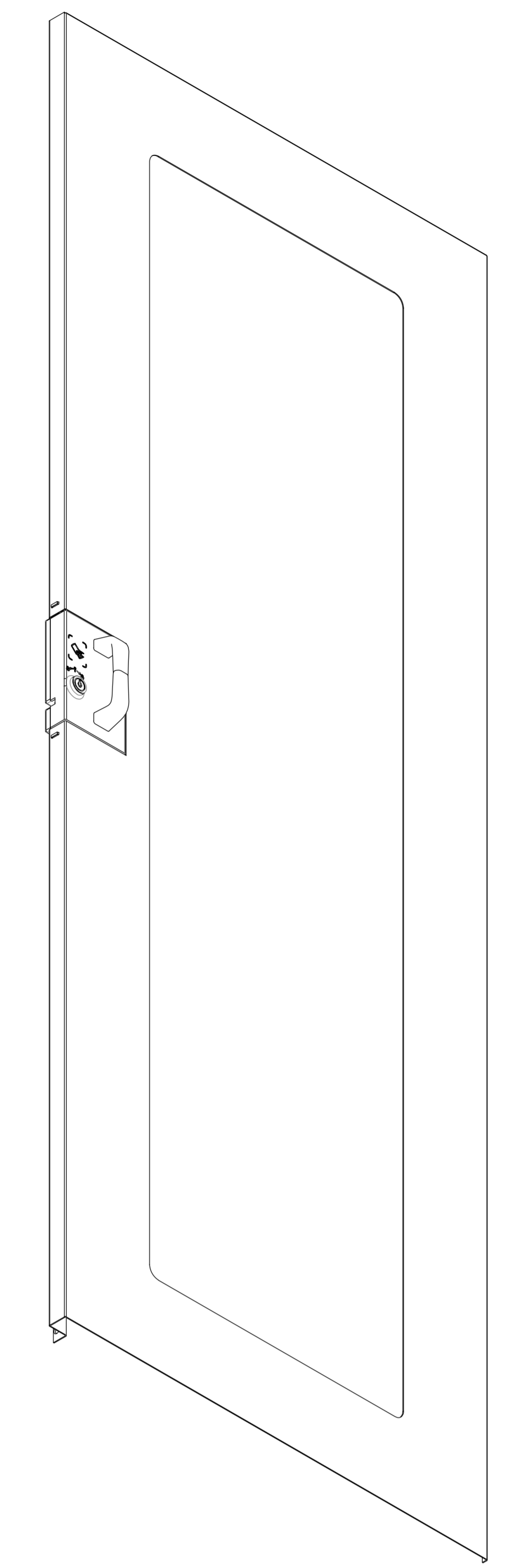


Left door

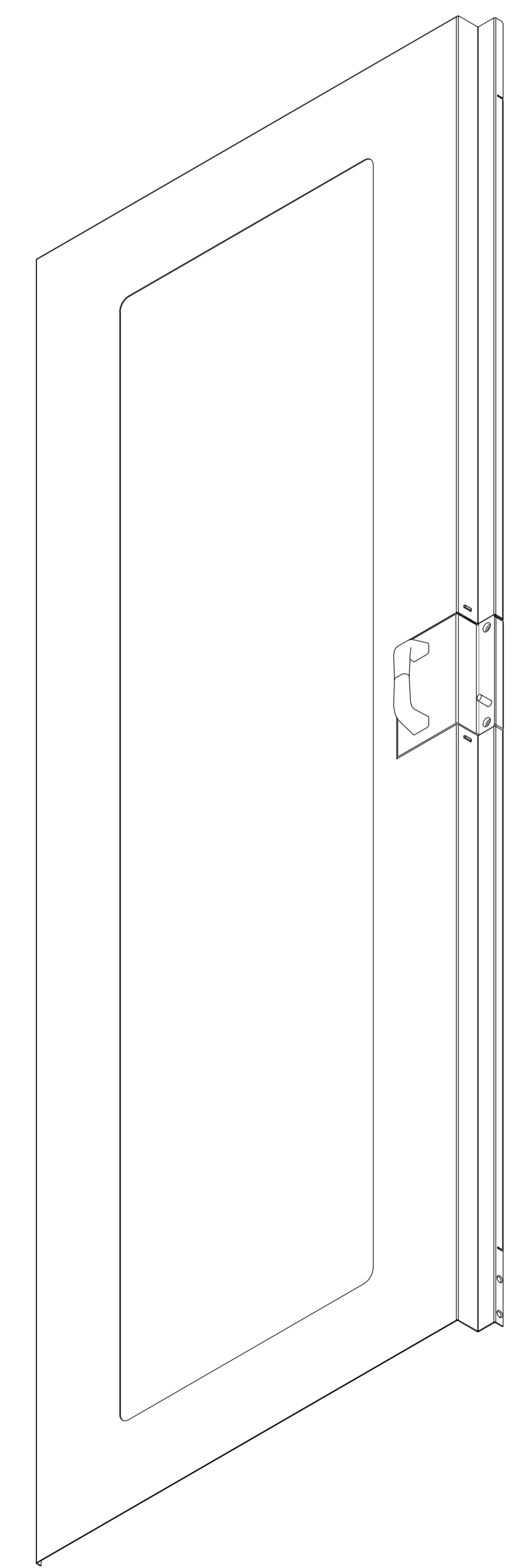


ECN/ECO

REV.	DATE	Desp.	Sign
-	-	-	-
-	-	-	-



right door



left door

THIS DRAWING AND SPECIFICATIONS HEREIN ARE THE PROPERTY OF Rakworx AND SHALL NOT BE COPIED, REPRODUCED OR USED IN WHOLE OR IN PART, AS THE BASIS FOR THE MANUFACTURE OR SALE OF ITEMS WITHOUT WRITTEN PERMISSION FROM Rakworx. THIS DRAWING IS BASED UPON LATEST AVAILABLE INFORMATION AND IS SUBJECT TO CHANGE WITHOUT NOTICE.

	Name	Date
Drawn by	Owen.Wu	20 Jan , 2016
Approved by	Zunzheng.Gu	22 Jan , 2016



Description	Drawing No.
Sliding door	ACD1200
Scale : 1:1	Unit :mm
Third angle projection	Sheet: 6 OF 6