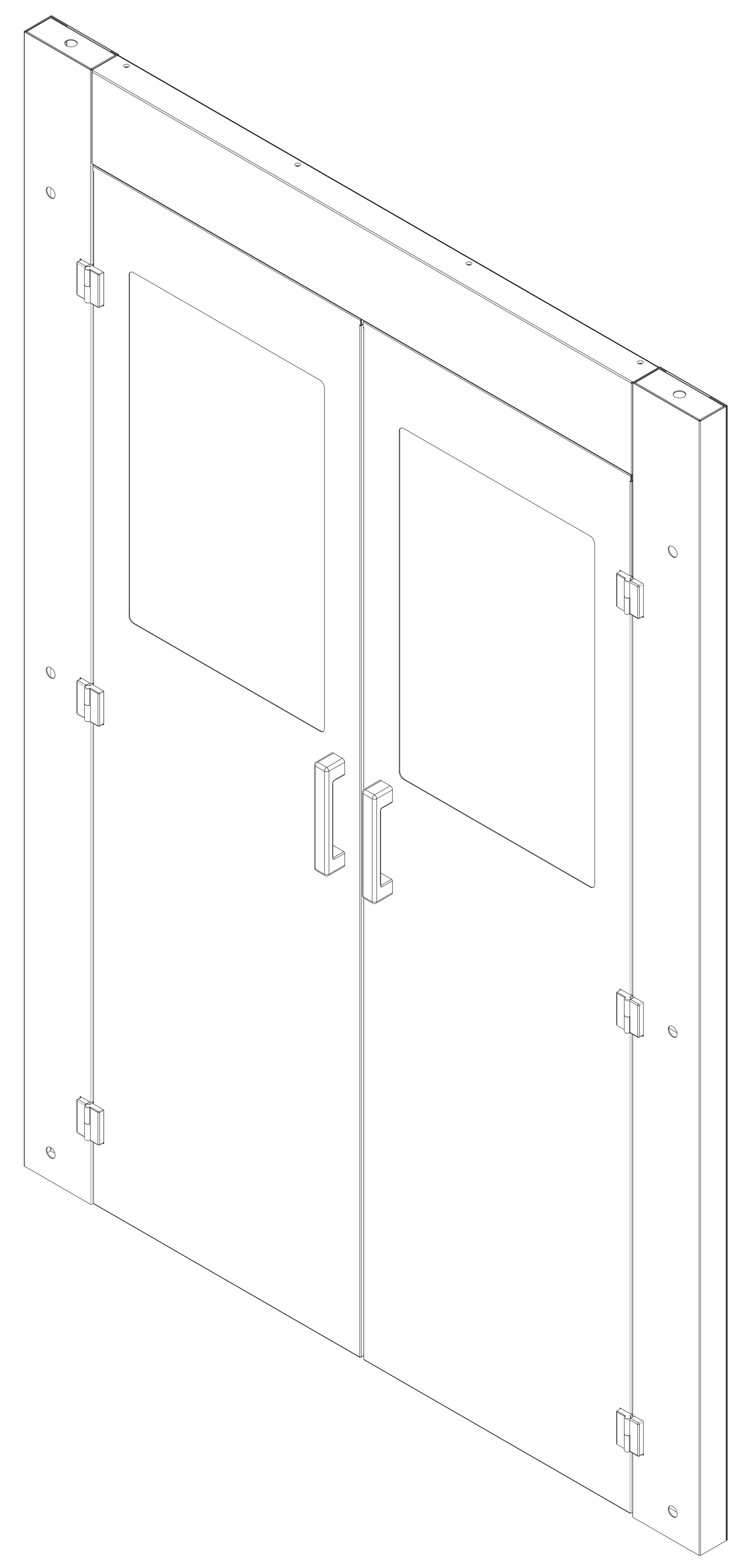
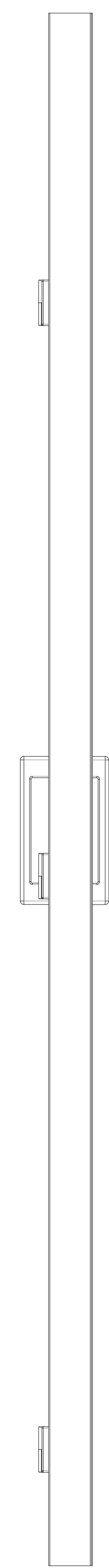
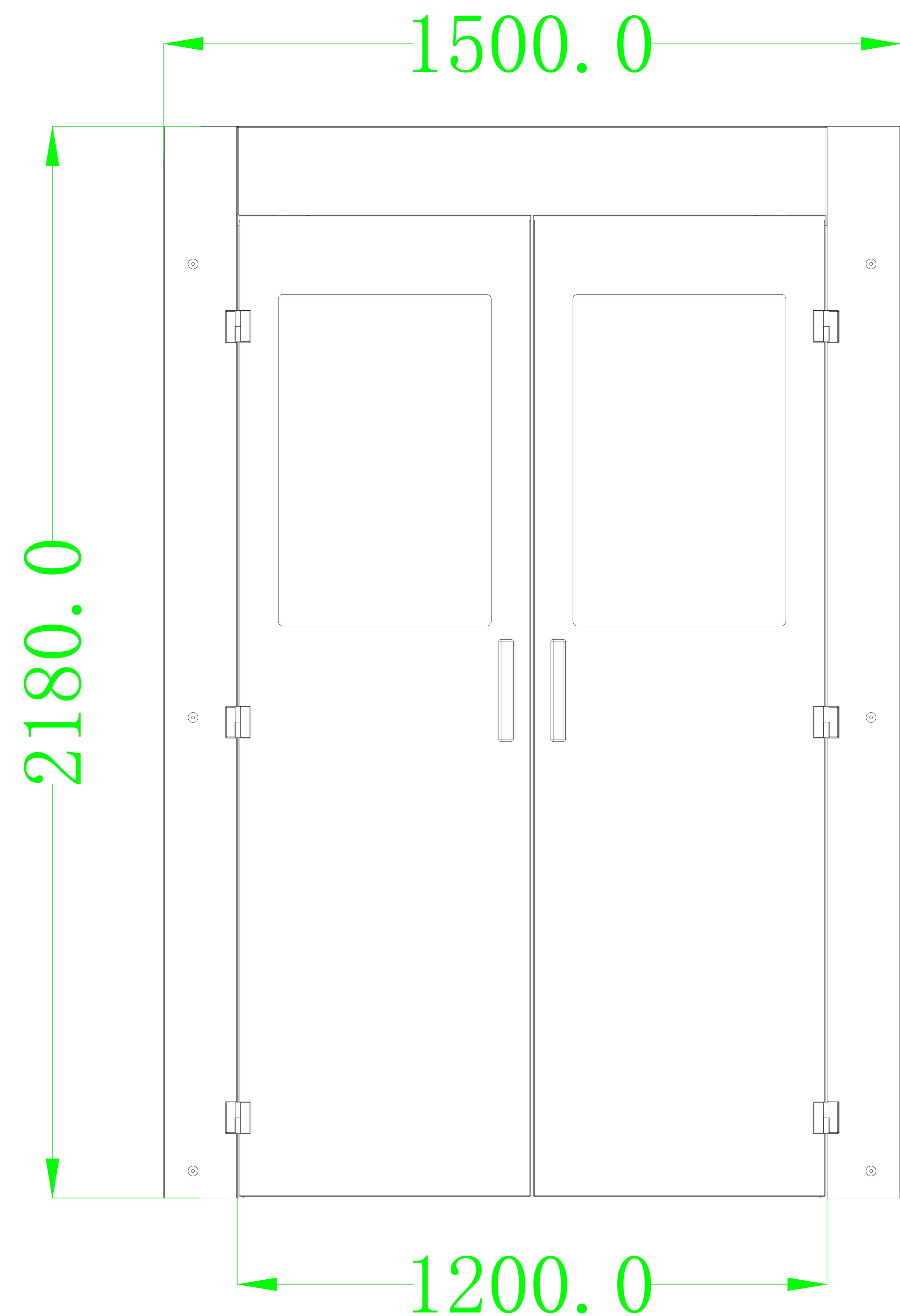


ECN/ECO			
REV.	DATE	Desp.	Sign
-	-	-	-
-	-	-	-



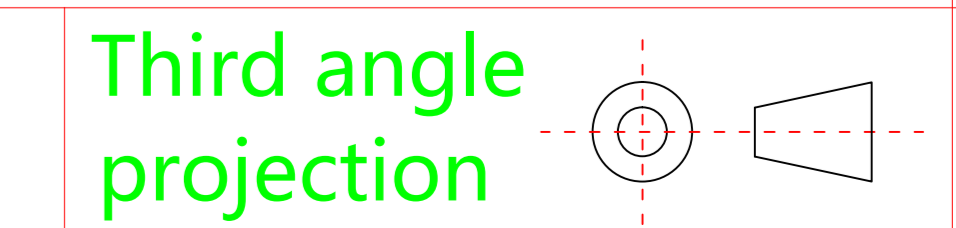
>0.5=3	±0.1
>3=6	±0.1
>6=30	±0.2
>30=120	±0.3
>120=400	±0.5
>400=1000	±0.8

Tolerances/Tolerance
ISO 2768-M

- Precautions:**
- 1.This product is a two-door push away. With automatic door system;
 - 2.Doors without lock function, but can expand to install access control systems;
 - 3.6mm toughened glass windows and doors

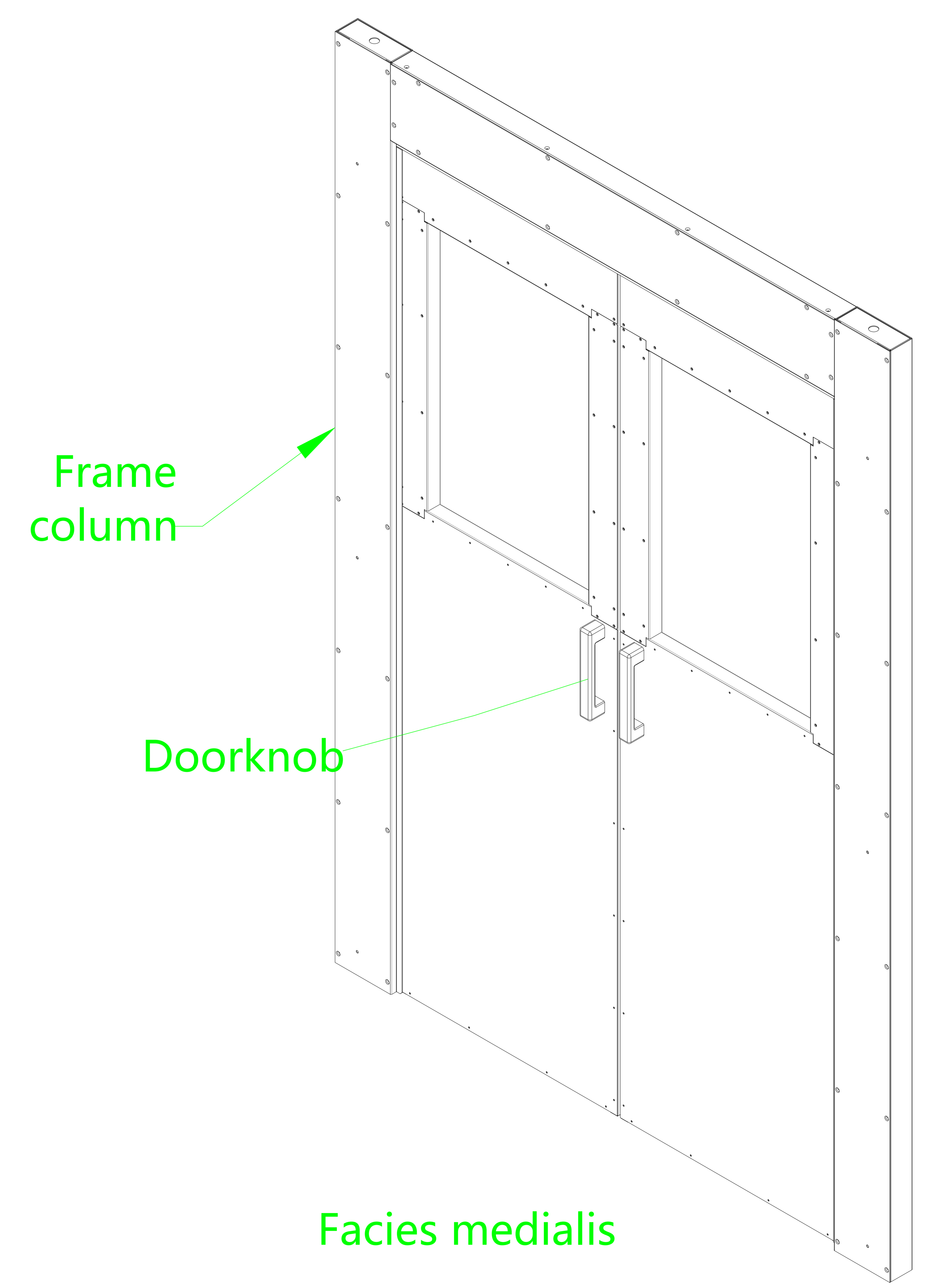
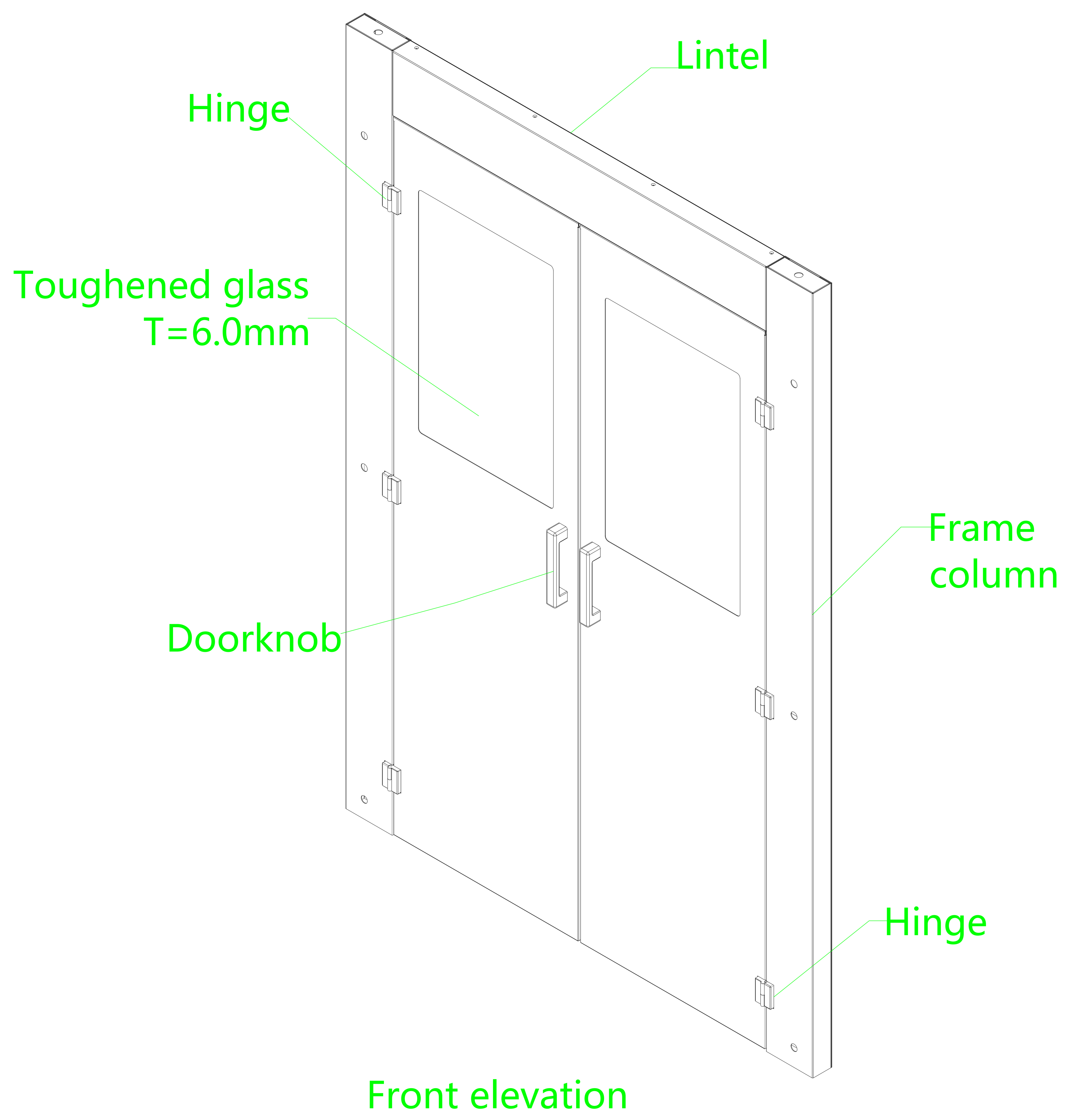
THIS DRAWING AND SPECIFICATIONS HEREIN ARE THE PROPERTY OF Rakworx AND SHALL NOT BE COPIED, REPRODUCED OR USED IN WHOLE OR IN PART, AS THE BASIS FOR THE MANUFACTURE OR SALE OF ITEMS WITHOUT WRITTEN PERMISSION FROM Rakworx. THIS DRAWING IS BASED UPON LATEST AVAILABLE INFORMATION AND IS SUBJECT TO CHANGE WITHOUT NOTICE.

Name	Date	Description	Drawing No.
Drawn by Owen.Wu	20 Jan , 2016	Double door push away	ACD2200-1
Approved by Zunzheng.Gu	22 Jan , 2016		Unit : mm
		Scale : 1:1	Sheet: 1 OF 6



Tolerances/Tolerance ISO 2768-M	>0.5=3	±0.1
	>3=6	±0.1
	>6=30	±0.2
	>30=120	±0.3
	>120=400	±0.5
>400=1000	±0.8	

ECN/ECO			
REV.	DATE	Desp.	Sign
-	-	-	-
-	-	-	-



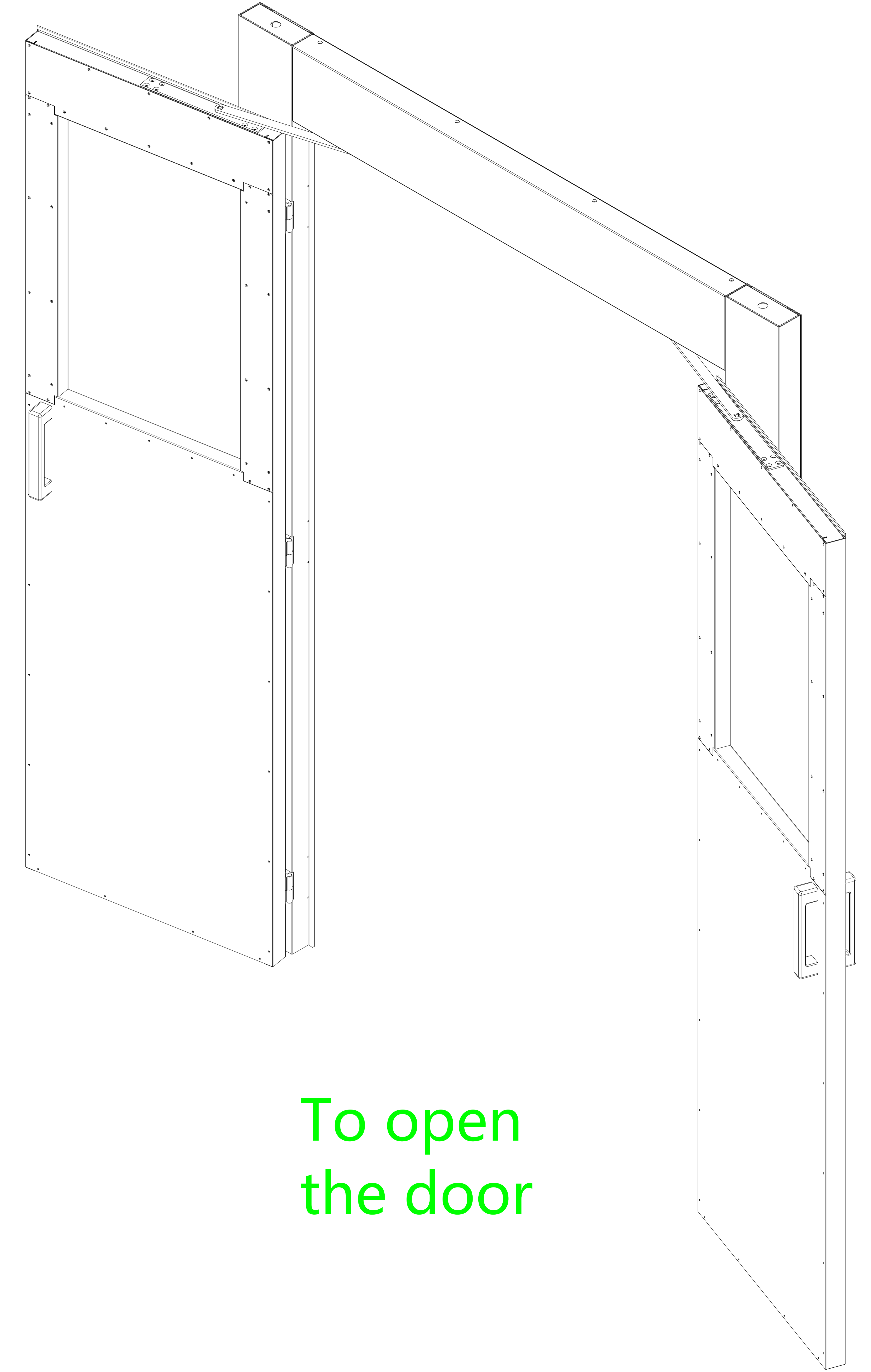
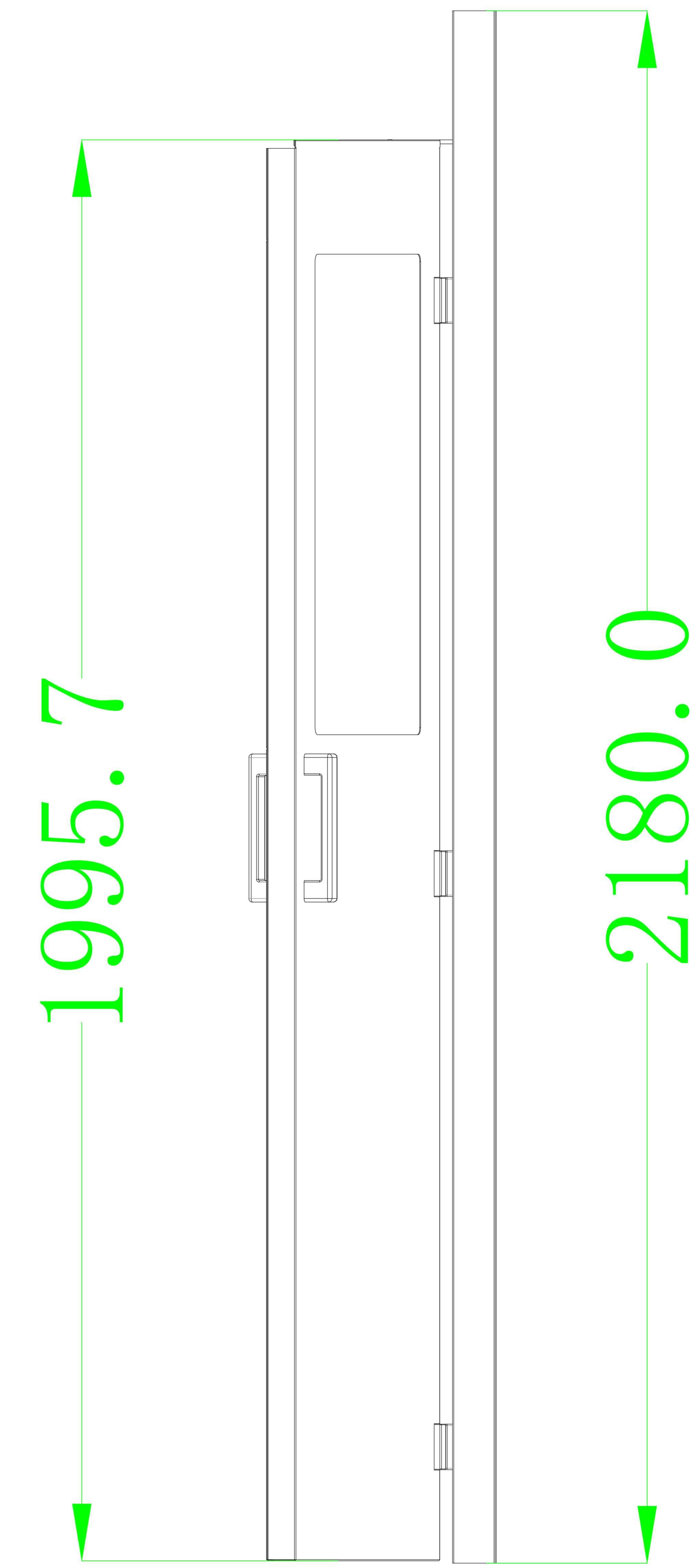
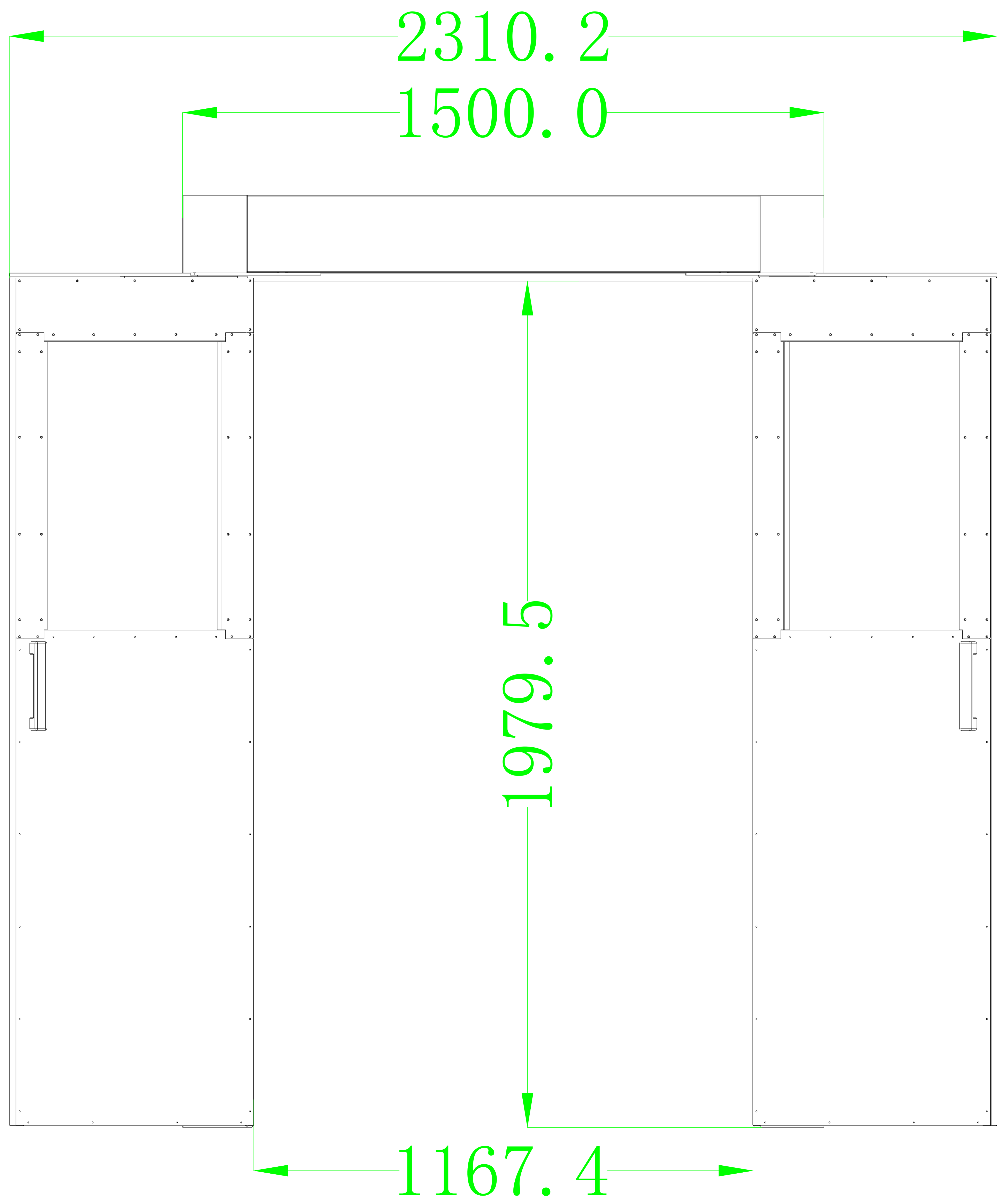
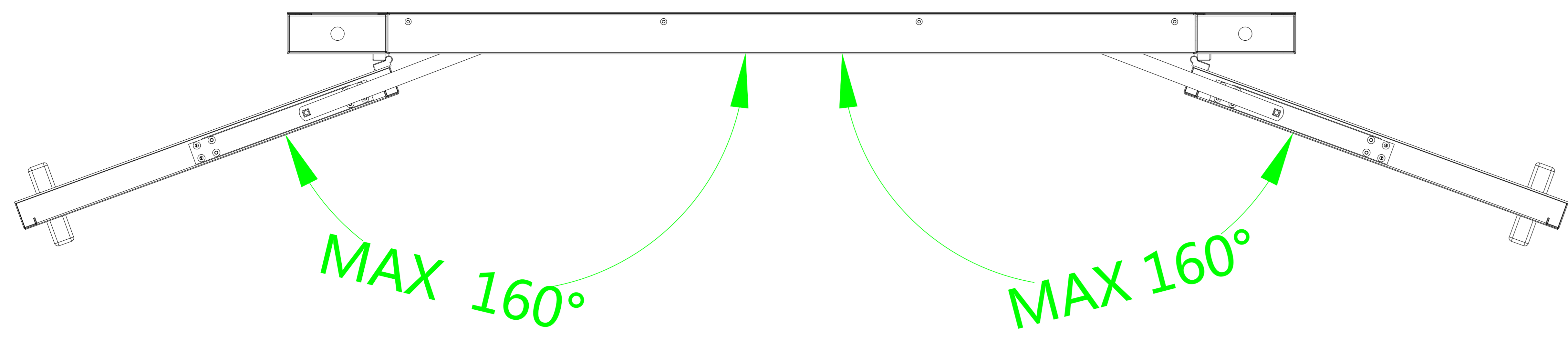
THIS DRAWING AND SPECIFICATIONS HEREIN ARE THE PROPERTY OF Rakworx AND SHALL NOT BE COPIED, REPRODUCED OR USED IN WHOLE OR IN PART, AS THE BASIS FOR THE MANUFACTURE OR SALE OF ITEMS WITHOUT WRITTEN PERMISSION FROM Rakworx. THIS DRAWING IS BASED UPON LATEST AVAILABLE INFORMATION AND IS SUBJECT TO CHANGE WITHOUT NOTICE.

	Name	Date
Drawn by	Owen.Wu	20 Jan , 2016
Approved by	Zunzheng.Gu	22 Jan , 2016



Description	Drawing No.
Double door push away	ACD2200-1
Scale : 1:1	Unit : mm
Third angle projection	Sheet: 2 OF 6

ECN/ECO			
REV.	DATE	Desp.	Sign
-	-	-	-
-	-	-	-



Tolerances/Tolerance ISO 2768-M	>0.5=3	±0.1
	>3=6	±0.1
	>6=30	±0.2
	>30=120	±0.3
	>120=400	±0.5
>400=1000	±0.8	

THIS DRAWING AND SPECIFICATIONS HEREIN ARE THE PROPERTY OF Rakworx AND SHALL NOT BE COPIED, REPRODUCED OR USED IN WHOLE OR IN PART, AS THE BASIS FOR THE MANUFACTURE OR SALE OF ITEMS WITHOUT WRITTEN PERMISSION FROM Rakworx. THIS DRAWING IS BASED UPON LATEST AVAILABLE INFORMATION AND IS SUBJECT TO CHANGE WITHOUT NOTICE.

	Name	Date
Drawn by	Owen.Wu	20 Jan , 2016
Approved by	Zunzheng.Gu	22 Jan , 2016

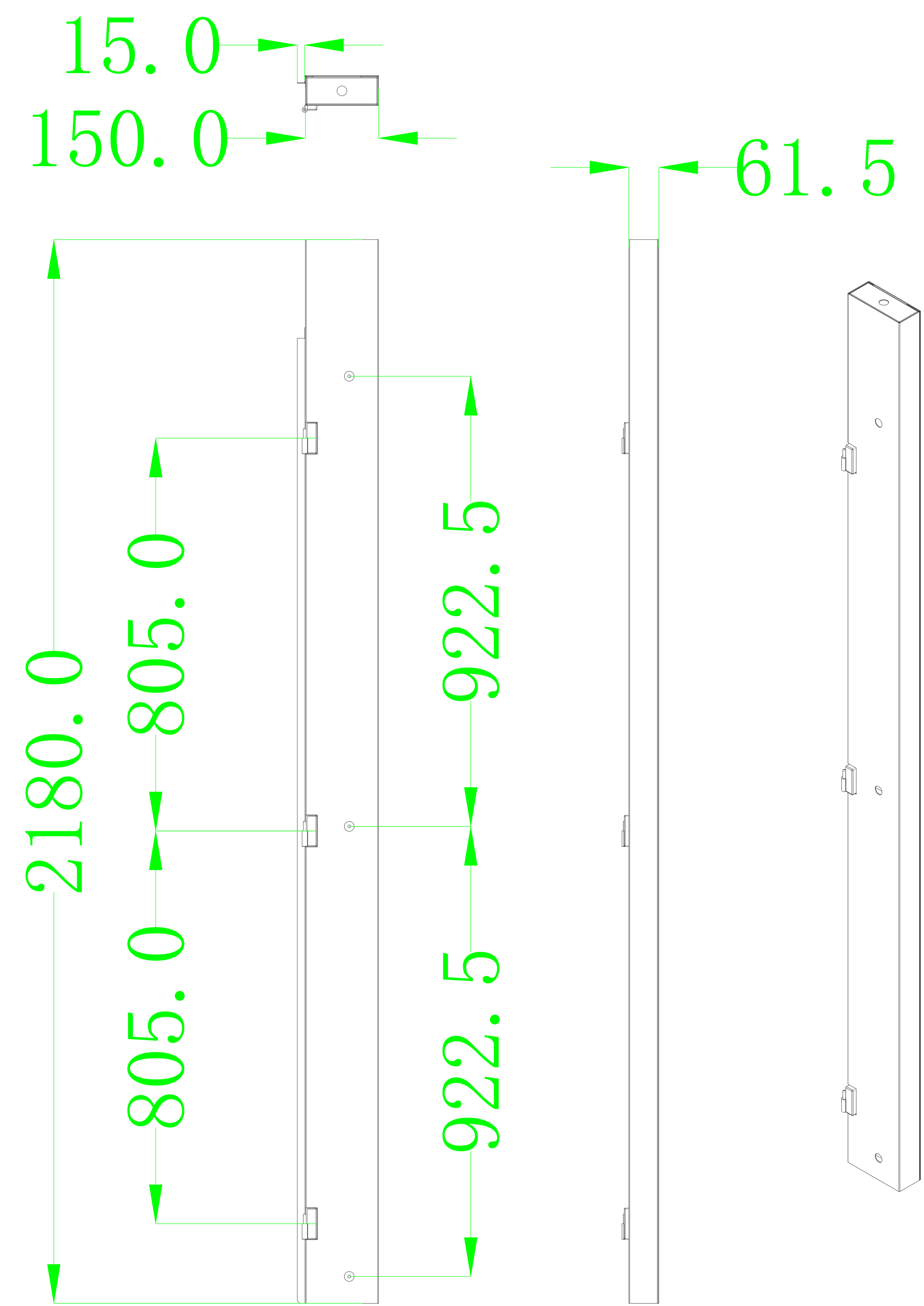


Description	Drawing No.
Double door push away	ACD2200-1
Scale : 1:1	Unit : mm
Third angle projection	Sheet: 3 OF 6

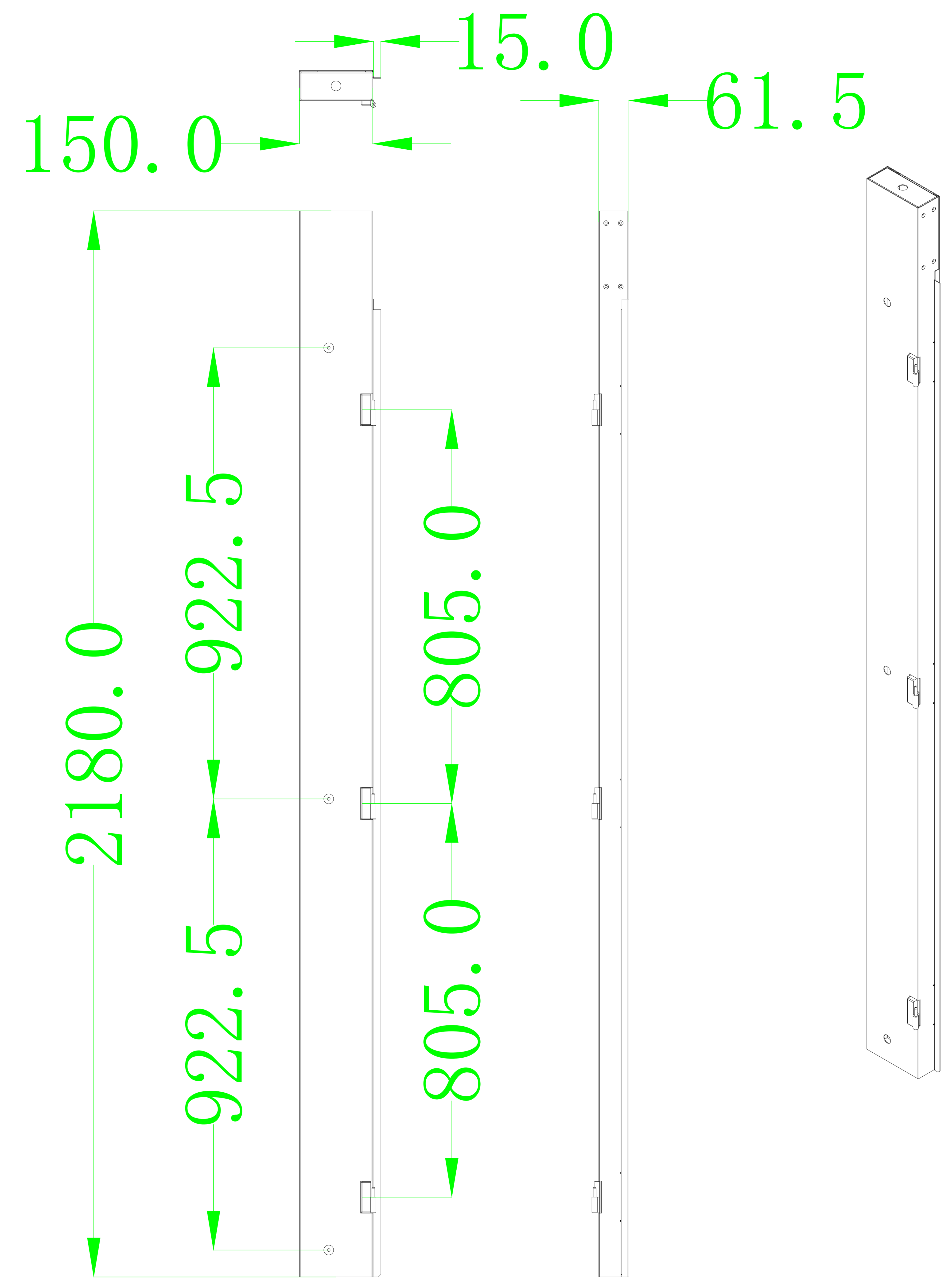
Tolerances/Tolerance ISO 2768-M	>0.5=3	>3=6	>6=30	>30=120	>120=400	>400=1000
	±0.1	±0.1	±0.2	±0.3	±0.5	±0.8

ECN/ECO			
REV.	DATE	Desp.	Sign
-	-	-	-
-	-	-	-

Right door post



Left door post



THIS DRAWING AND SPECIFICATIONS HEREIN ARE THE PROPERTY OF Rakworx AND SHALL NOT BE COPIED, REPRODUCED OR USED IN WHOLE OR IN PART, AS THE BASIS FOR THE MANUFACTURE OR SALE OF ITEMS WITHOUT WRITTEN PERMISSION FROM Rakworx. THIS DRAWING IS BASED UPON LATEST AVAILABLE INFORMATION AND IS SUBJECT TO CHANGE WITHOUT NOTICE.

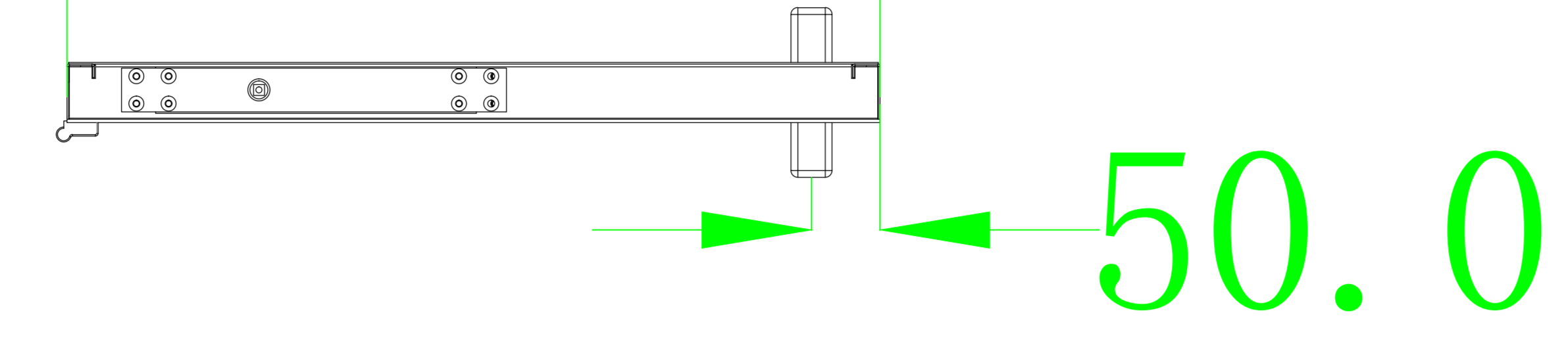
	Name	Date
Drawn by	Owen.Wu	20 Jan , 2016
Approved by	Zunzheng.Gu	22 Jan , 2016



Description	Drawing No.
Double door push away	ACD2200-1
Scale : 1:1	Unit : mm
Third angle projection	Sheet: 4 OF 6

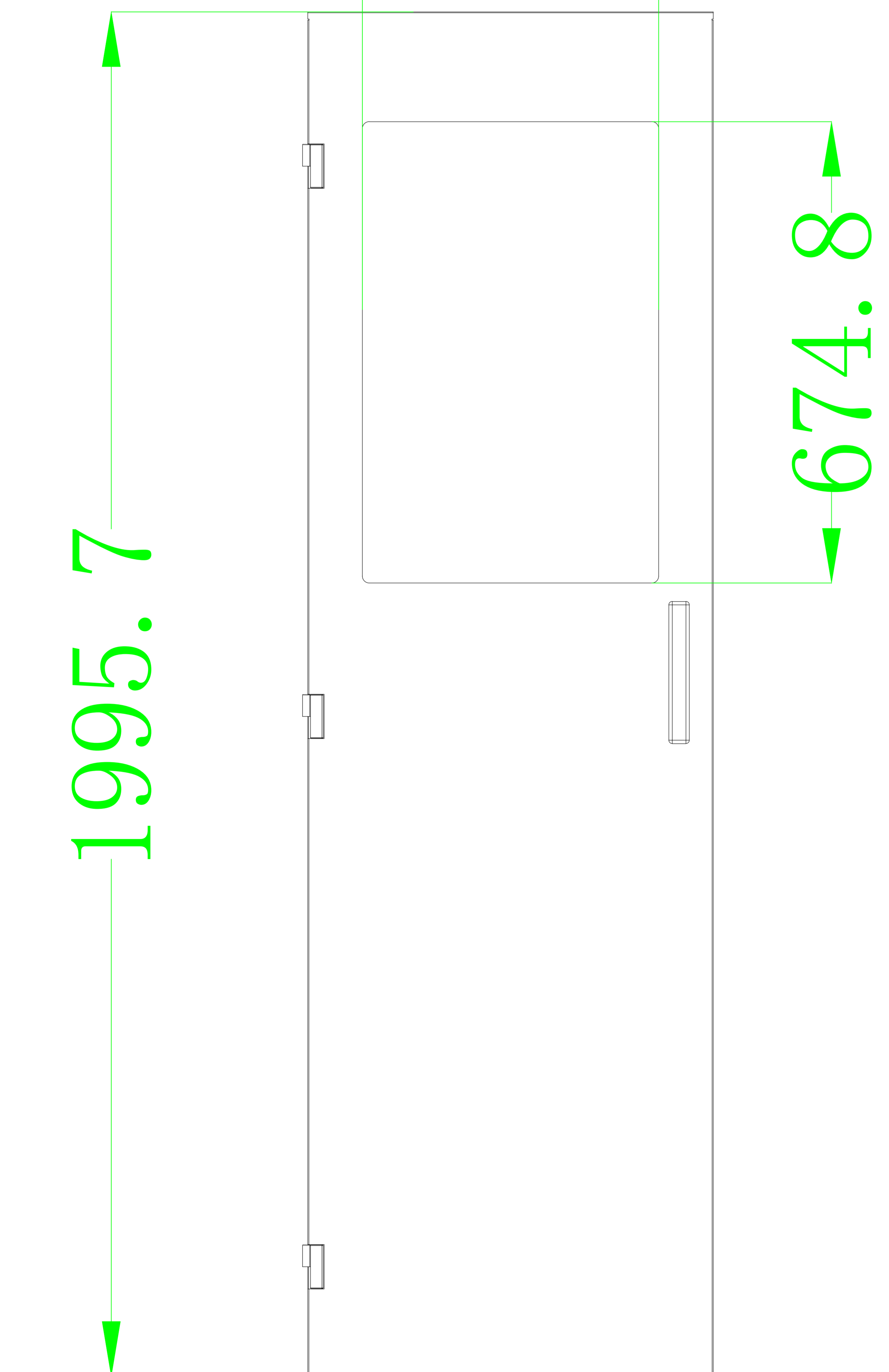
Tolerances/Tolerance ISO 2768-M	>0.5=3	>3=6	>6=30	>30=120	>120=400	>400=1000
	±0.1	±0.1	±0.2	±0.3	±0.5	±0.8

593.5



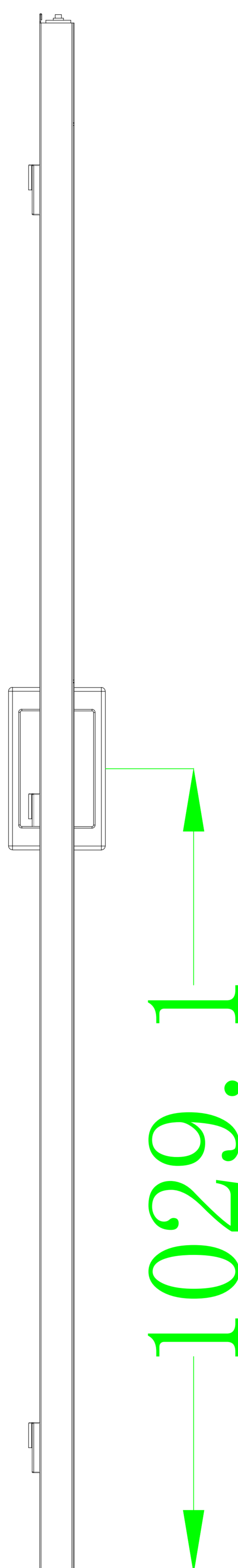
50.0

433.5



1995.7

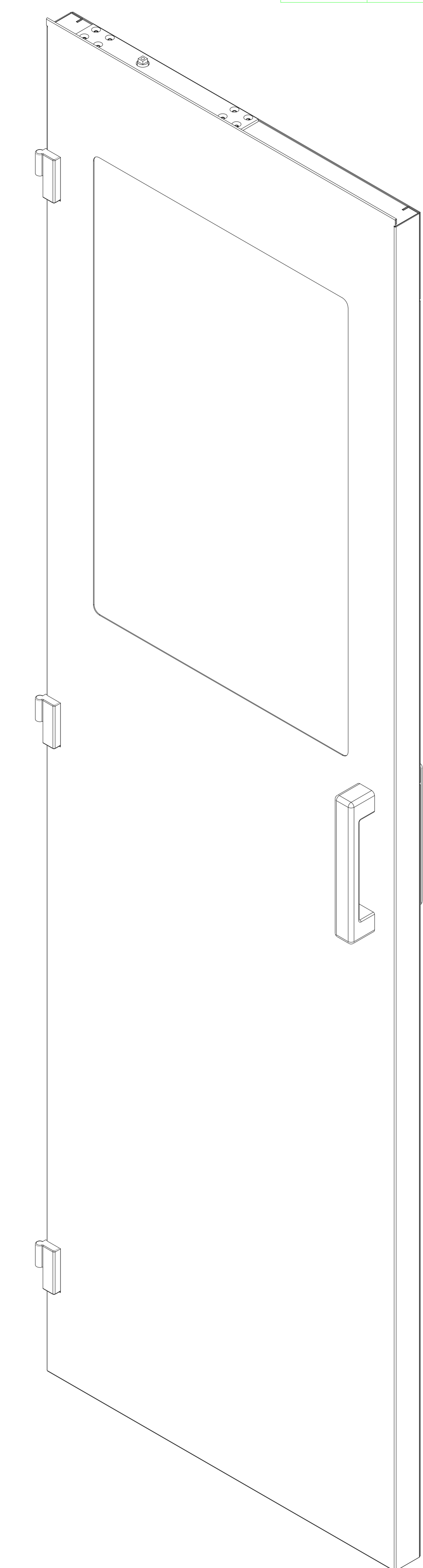
674.8



1029.1

Left door

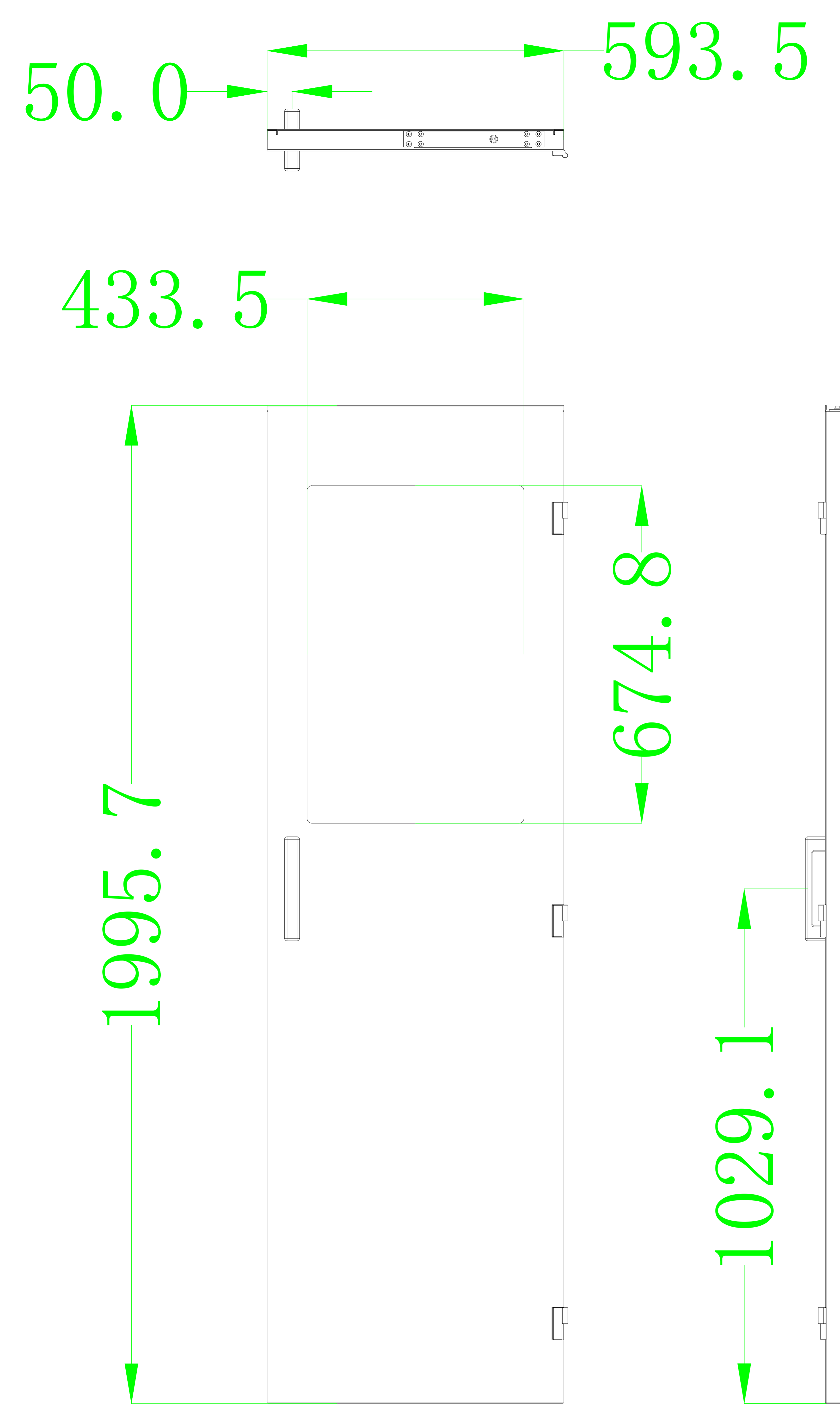
ECN/ECO			
REV.	DATE	Desp.	Sign
-	-	-	-
-	-	-	-



THIS DRAWING AND SPECIFICATIONS HEREIN ARE THE PROPERTY OF Rakworx AND SHALL NOT BE COPIED, REPRODUCED OR USED IN WHOLE OR IN PART, AS THE BASIS FOR THE MANUFACTURE OR SALE OF ITEMS WITHOUT WRITTEN PERMISSION FROM Rakworx. THIS DRAWING IS BASED UPON LATEST AVAILABLE INFORMATION AND IS SUBJECT TO CHANGE WITHOUT NOTICE.

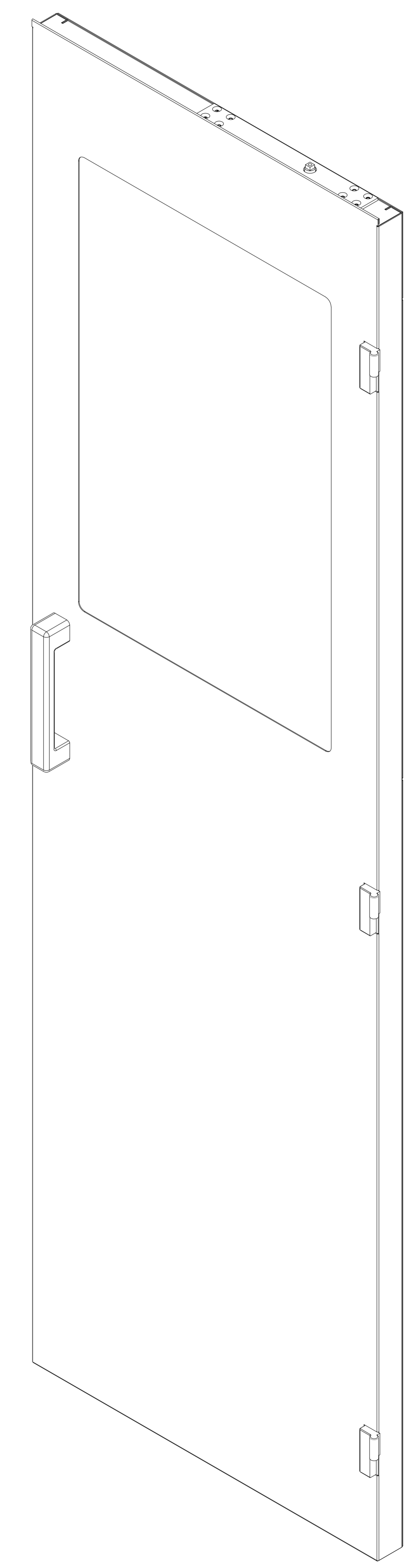
	Name	Date	Description	Drawing No.
	Drawn by Owen.Wu	20 Jan , 2016		
	Approved by Zunzheng.Gu	22 Jan , 2016	Double door push away	ACD2200-1
				Unit : mm
			Scale : 1:1	Third angle projection
				Sheet: 5 OF 6

Tolerances/Tolerance ISO 2768-M	>0.5=3	±0.1
	>3=6	±0.1
	>6=30	±0.2
	>30=120	±0.3
	>120=400	±0.5
	>400=1000	±0.8



Right door

ECN/ECO			
REV.	DATE	Desp.	Sign
-	-	-	-
-	-	-	-



THIS DRAWING AND SPECIFICATIONS HEREIN ARE THE PROPERTY OF Rakworx AND SHALL NOT BE COPIED, REPRODUCED OR USED IN WHOLE OR IN PART, AS THE BASIS FOR THE MANUFACTURE OR SALE OF ITEMS WITHOUT WRITTEN PERMISSION FROM Rakworx. THIS DRAWING IS BASED UPON LATEST AVAILABLE INFORMATION AND IS SUBJECT TO CHANGE WITHOUT NOTICE.

Name	Date	Description	Drawing No.
Drawn by Owen.Wu	20 Jan , 2016	Double door push away	ACD2200-1
Approved by Zunzheng.Gu	22 Jan , 2016		
		Scale : 1:1	Unit : mm
		Third angle projection	Sheet: 6 OF 6