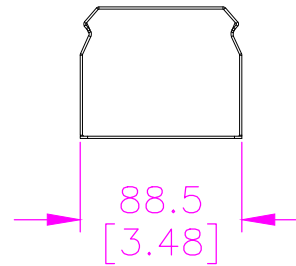
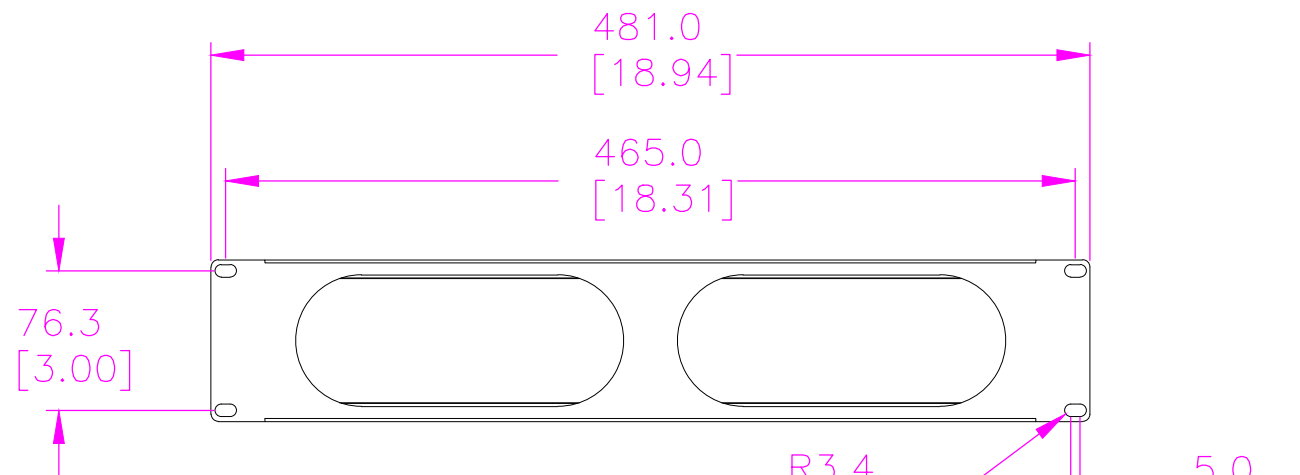
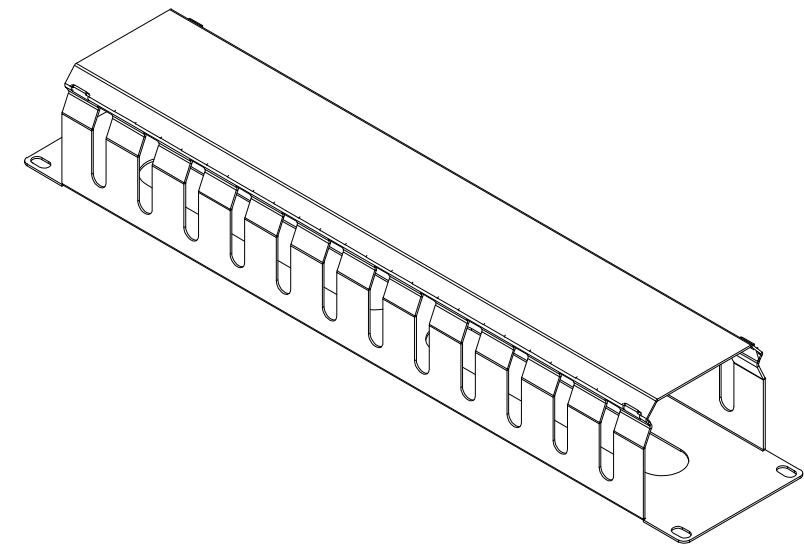


FRONT VIEW



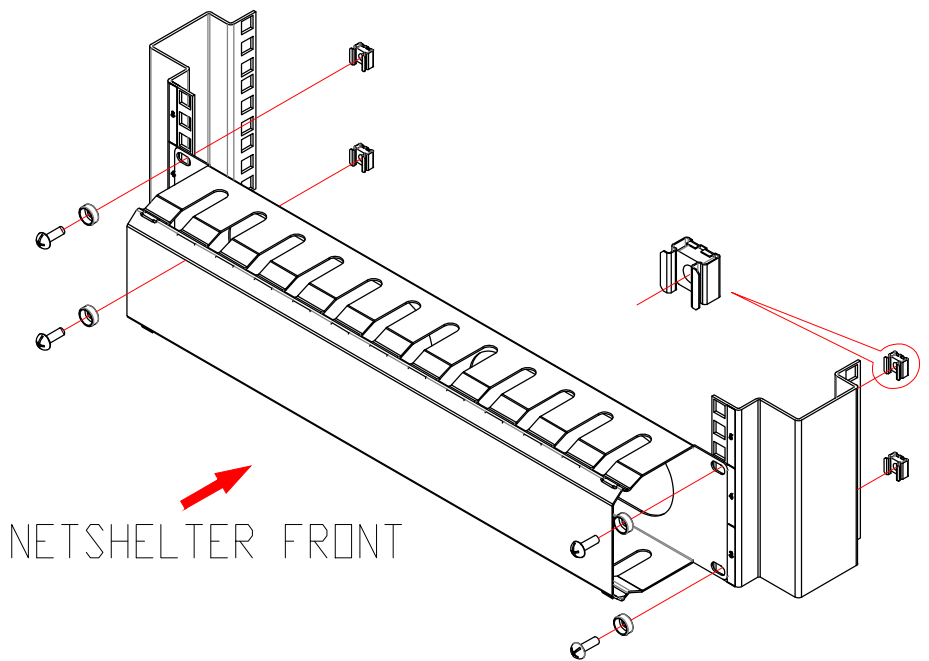
SIDE VIEW

ISOMETRIC VIEW



BOTTOM VIEW

APPLICATION DETAILS



NETSHELTER FRONT

NOTES:

1. CABLE ACCESSORIES ARE HELPFUL TO ELIMINATE THE CABLE STRESS AND KEEP THE CABLE IN A NEAT AND ORDERLY STATE IN THE CABINET OR RACK.
2. CAN BE INSTALLED HORIZONTALLY ON THE FRONT AND REAR COLUMNS OF ANY 19 INCH CABINET.
3. USING 1.2MM THICK AND HIGH QUALITY COLD ROLLED STEEL PLATE TO ENSURE HE STRENGTH AND DURABILITY.
4. UNLESS OTHERWISE SPECIFIED, ALL DIMENSIONS ARE IN MILLIMETERS[INCHES].
5. BLACK POWDER SPRAYING SURFACE, SCRATCH RESISTANT.

THIS DRAWING AND SPECIFICATIONS HEREIN ARE THE PROPERTY OF Rakworx AND SHALL NOT BE COPIED, REPRODUCED OR USED IN WHOLE OR IN PART, AS THE BASIS FOR THE MANUFACTURE OR SALE OF ITEMS WITHOUT WRITTEN PERMISSION FROM Rakworx. THIS DRAWING IS BASED UPON LATEST AVAILABLE INFORMATION AND IS SUBJECT TO CHANGE WITHOUT NOTICE.

Name	Date	Description	Drawing No.
Drawn by		MAIN MECHANICAL	RM86017
Approved by			Unit: mm
		Scale: 1:1	Sheet: 10F1
		Third angle projection	