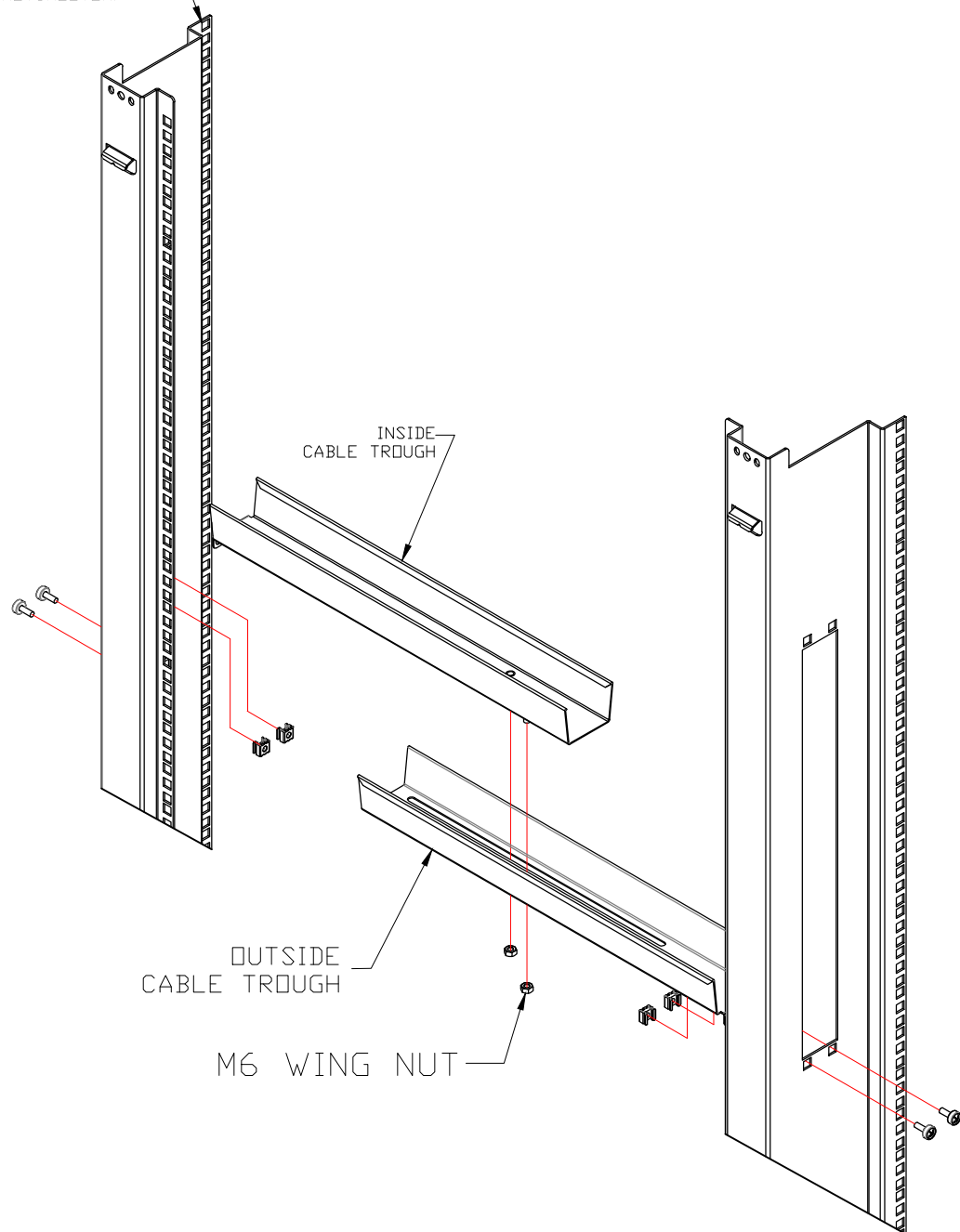


FLANGE MOUNT ASSEMBLY (IN NETSHELTER)



TYPICAL INSTALLATION DETAILS (EXPLODED VIEW)

THIS DRAWING AND SPECIFICATIONS HEREIN ARE THE PROPERTY OF Rakworx AND SHALL NOT BE COPIED, REPRODUCED OR USED IN WHOLE OR IN PART, AS THE BASIS FOR THE MANUFACTURE OR SALE OF ITEMS WITHOUT WRITTEN PERMISSION FROM Rakworx. THIS DRAWING IS BASED UPON LATEST AVAILABLE INFORMATION AND IS SUBJECT TO CHANGE WITHOUT NOTICE.

	Name	Date	Description	Drawing No.
Drawn by			HORIZONTAL CABLE ORGANIZER SIDE CHANNEL 18-30INCH ADJUSTMENT	RM86080
Approved by				Unit: mm
			Scale: 1:1	Sheet: 10F1
			Third angle projection	